

# WCI (932I) SERIES

## ARCHITECT'S AND ENGINEER'S SPECIFICATIONS\*

The heating equipment shall include an electric automatic fan forced air heater suitable for small area heating, as manufactured by Indeco®. The heater shall be designed for wall mounting, recess or surface. Heaters shall be cETLus listed.

**BACK BOX:** The back box shall be designed as a recessed rough-in box in either masonry or frame installations and is also used when surface mounting frames are used in surface mounting installations. The back box shall be heavy gauge galvanized steel and shall contain knockouts through which power leads enter.

**INNER FRAME ASSEMBLY:** The heater assembly, which fits into the back box, shall consist of a heavy gauge steel fan panel to which all of the operational parts of the heater are mounted. The inner frame assembly shall be completely prewired.

**HEATING ELEMENT:** The heating element shall be of the non-glowing design consisting of an 80/20 nickel-chromium resistance wire enclosed in a steel sheath to which plate fins are copper brazed. The element shall cover the entire air discharge area to ensure uniform heating of all discharged air. It shall be warranted for 5 years.

**ON/OFF SWITCH:** A double-pole, single throw on/off switch shall be mounted on the back box for positive disconnect of power supply. It will be completely concealed behind the front cover.

**MOTOR AND CONTROLS:** The fan motor shall be totally enclosed, impedance protected, permanently lubricated and with a totally enclosed rotor. Fan control shall be of the bimetallic, snap-action type and shall activate fan after heating element reaches operating temperature, and continue to operate the fan after the thermostat is satisfied and until all heated air has been discharged. The thermostat shall be single-pole type on all models. Thermal cutout shall be bimetallic, snap-action type designed to shut off heat in the event of overheating. The fan shall be five-bladed aluminum.

**SURFACE MOUNTING FRAME:** The surface mounting frame shall be of heavy gauge steel designed to mount around the back box for a finished surface installation. Slot knockouts shall be provided for power supply conduit.

**FRONT COVER:** The louvered front cover shall be of heavy 20g steel with a powder paint finish. A plug button will be provided to replace the thermostat knob and render the unit tamper-resistant.

**FINISH:** All sheet metal parts, except the galvanized steel back box, shall be phosphatized, then completely painted by a powder paint process.

\*Indeco reserves the right to change specifications without prior notice.

### Models & Specifications:

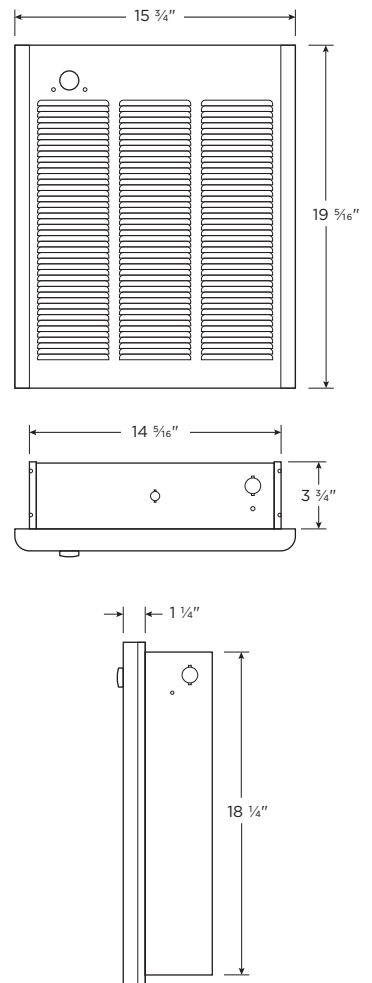
ITEM INFORMATION	ELECTRICAL DATA					
	CATALOG NO.	VOLTS	PHASE	WATTS	AMPS	BTU/HR.
932IW-3150-W	120	1	1500	12.5	5,118	25 lbs
932IW-3404-W*	240	1	4000/2000	16.7/8.3	13,649/6,824	25 lbs
	208	1	3000/1500	14.5/7.2	10,236/5,118	25 lbs
932IW-3407-W*	277	1	4000/2000	14.5/7.2	13,649/6,824	25 lbs
	240	1	3000/1500	12.5/6.3	10,236/5,118	25 lbs
932IW-3408-W*	208	1	4000/2000	19.2/9.6	13,649/6,824	25 lbs
	240	1	4800	20	16,378	25 lbs
932IW-3504-W	208	1	3600	17.3	12,284	25 lbs
	277	1	4800	17.3	16,378	25 lbs
932IW-3507-W	240	1	3600	15	12,284	25 lbs
	208	3	4800	13.4	16,378	25 lbs
932IW-3508-W	208	1	4800	23.1	16,378	25 lbs
932IW-3180-W	120	1	1800	15	6,142	25 lbs
932IW-3307-W*	277	1	3000/1500	10.8/5.4	10,236/5,118	25 lbs
932IW-34043-W	240	3	4000	9.7	13,649	25 lbs
932IW-34083-W	208	3	4000	11.1	13,649	25 lbs
932IW-35043-W	240	3	4800	11.6	16,378	25 lbs
932IW-3153-W	347	1	1500	4.3	5,118	25 lbs
932IW-3203-W	347	1	2000	5.8	6,824	25 lbs
932IW-3303-W	347	1	3000	8.6	10,236	25 lbs
932IW-3403-W	347	1	4000	11.5	13,649	25 lbs
932IW-3503-W	347	1	4800	13.8	16,378	25 lbs
932IW-3156-W	600	1	1500	2.5	5,118	25 lbs
932IW-3206-W	600	1	2000	3.3	6,824	25 lbs
932IW-3306-W	600	1	3000	5	10,236	25 lbs
932IW-3406-W	600	1	4000	6.7	13,649	25 lbs
932IW-3506-W	600	1	4800	8	16,378	25 lbs

\*Factory-wired for higher wattage, field-convertible to half wattage. For wall mounting - Do not install back box closer than 8 in. from floor or adjacent wall. Do not install heater behind towel rack, behind door, in floor, in closet, in ceiling or where air flow may be obstructed.

### Optional Accessories:

CATALOG NO.	DESCRIPTION	SHIP WT.
WIC-FCTP-W	Tamper-Proof Front Cover, White	2 lbs
WIF-SMFL-W	Surface Mounting Frame, White	5 lbs
WIF-SMFL1-W	1 in. Semi-Recessed Frame, White	2 lbs
WIF-SMFL2-W	2 in. Semi-Recessed Frame, White	2 lbs
WIC-SFC-W	14-gauge Security Front Cover, White	6 lbs

### Dimensions and Clearances:



No matter the industry or application, Indeco® has a robust portfolio of innovative, reliable, high-performance comfort heating and ventilation solutions for all your heating needs.