

# UHLP P-963 Series

Plenum Rated Units for Enclosed Spaces



Page 1 of 6

Low profile design for unit heating or ducted applications with up to 0.5 inches of static pressure.



## Stage Controlled Heaters

CATALOG NUMBER	KW	CFM RANGE	VOLTS/ PHASE (1)	TOTAL AMPS for MOTOR & HEATER	STAGE	MOTOR VOLTAGE	FULL LOAD AMPS for MOTOR ONLY	MOTOR H.P.	WT. (LBS)	AVAILABILITY CODE (2)	☒						
P-963U1N05C-DU6L4	5	170-950	208/1	26	1	277	2	1/4	163	C	<input type="checkbox"/>						
P-963U1N05J-DU6L4			240/1	22		277											
P-963U1N05N-DU6L4			277/1	20		277											
P-963U1N05D-DU6L4			208/3	15		277	2										
P-963U1N05K-DU6L4			240/3	14		277											
P-963U1T05U-DU6L4			480/3	8		480											
P-963U1N10D-DU6L4	10		208/3	30	1	277	2				2	219	C	<input type="checkbox"/>			
P-963U1N10K-DU6L4			240/3	26		277	2										
P-963U1T10U-DU6L4			480/3	14		480	2										
P-963U2N10D-DU6L4			208/3	30		2	277							2			
P-963U2N10K-DU6L4			240/3	26			277							2			
P-963U2T10U-DU6L4			480/3	14			480							2			
P-963U1N12K-DU6L4	12	270-1500	240/3	32	1	277	3	2 Motors @ 1/4 HP Each	219	C				<input type="checkbox"/>			
P-963U1T12U-DU6L4			480/3	17		480	3										
P-963U2N12D-DU6L4			208/3	37		2	277							2			
P-963U2N12K-DU6L4			240/3	32			277							3			
P-963U2T12U-DU6L4			480/3	17			480							3			
P-963U1N15K-DU6L4			15	240/3		39	1							277	3	2 Motors @ 1/4 HP Each	219
P-963U1T15U-DU6L4	480/3			21	480	3											
P-963U2N15D-DU6L4	208/3			45	2	277					4						
P-963U2N15K-DU6L4	240/3			39		277					3						
P-963U2T15U-DU6L4	480/3			21		480					3						
P-963U1T18U-DU6L4	18			480/3	25	1					480	3	2 Motors @ 1/4 HP Each	219	C		
P-963U2T18U-DU6L4			480/3	25	2		480				3	<input type="checkbox"/>					

(1) 60 Hz only

(2) AS = Assemble Stock, AS listed heaters ordered with custom (C) features are subject to longer lead times

(3) Default/standard hand-of-connection is right hand (U6L4) optional left hand (U4L6) is available, see optional features.

(4) Built-in door interlocking disconnect switch is included.

# UHLP P-963 Series

Plenum Rated Units for Enclosed Spaces



## SSR Controlled Heaters

CATALOG NUMBER	KW	CFM RANGE	VOLTS/ PHASE (1)	TOTAL AMPS for MOTOR & HEATER	STAGE	MOTOR VOLTAGE	FULL LOAD AMPS for MOTOR ONLY	MOTOR H.P.	WT. (LBS)	AVAILABILITY CODE (2)	☒
P-963U1N05C-DEU6L4	5	170-950	208/1	26	SSR	277	2	1/4	163	C	<input type="checkbox"/>
P-963U1N05J-DEU6L4			240/1	22		277					
P-963U1N05N-DEU6L4			277/1	20		277					
P-963U1N05D-DEU6L4			208/3	15		277	2				
P-963U1N05K-DEU6L4			240/3	14		277					
P-963U1T05U-DEU6L4			480/3	8		480					
P-963U1N10D-DEU6L4			10	208/3		30	SSR				277
P-963U1N10K-DEU6L4	240/3	26		277	2						
P-963U1T10U-DEU6L4	480/3	14		480	2						
P-963U1N12K-DEU6L4	12	270-1500	240/3	32	SSR	277	3	2 Motors @ 1/4 HP Each	219		<input type="checkbox"/>
P-963U1T12U-DEU6L4			480/3	17		480	3				
P-963U1N15K-DEU6L4	15		240/3	39	SSR	277	3				
P-963U1T15U-DEU6L4			480/3	21		480	3				
P-963U1T18U-DEU6L4			18	480/3	25	SSR	480				3

(1) 60 Hz only

(2) AS = Assemble Stock, AS listed heaters ordered with custom (C) features are subject to longer lead times

(3) Default/standard hand-of-connection is right hand (U6L4) optional left hand (U4L6) is available, see optional features.

(4) Built-in door interlocking disconnect switch is included.

## Factory Built-in Options

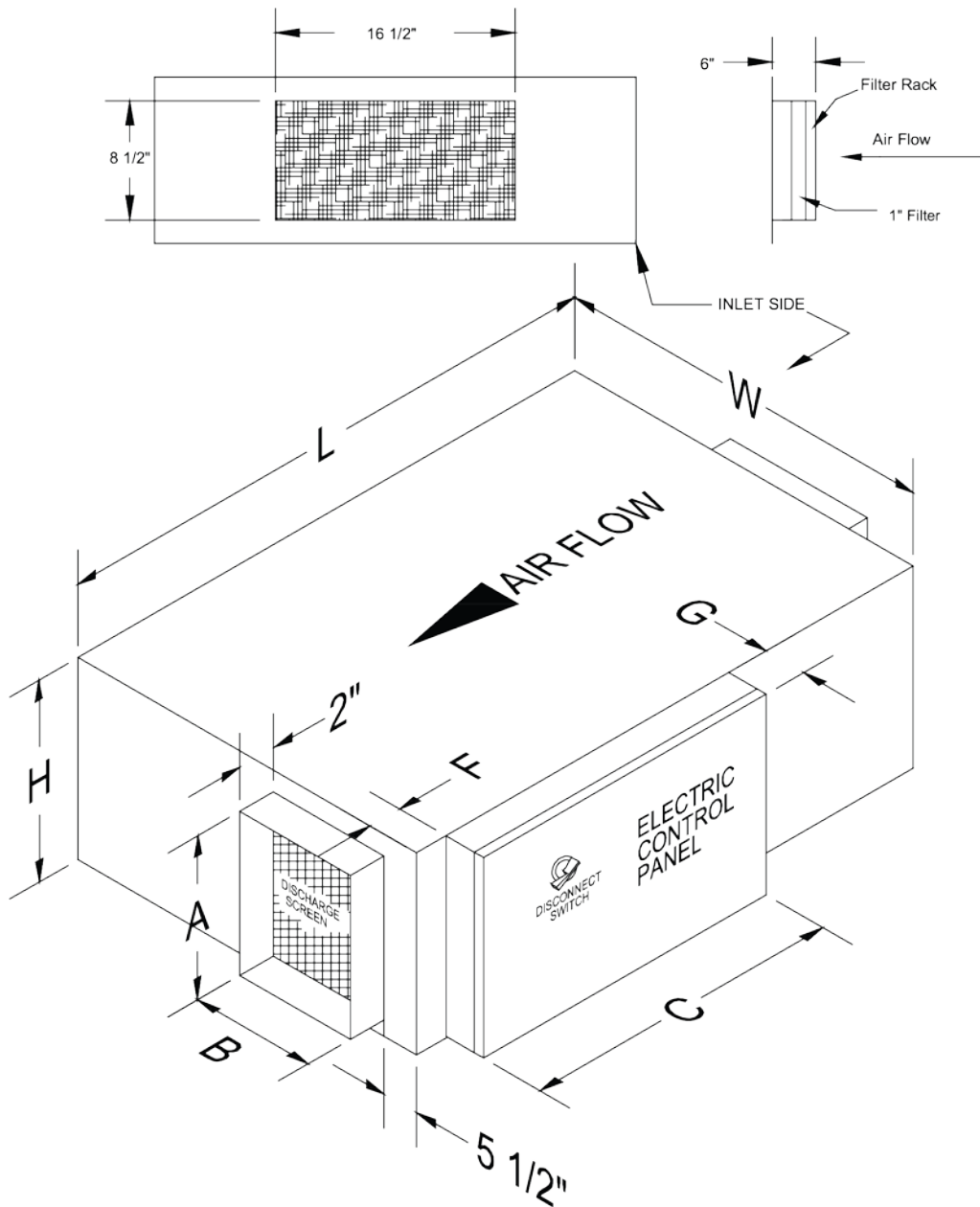
CODE	DESCRIPTION	AVAILABILITY CODE (2)	☒
T	Single-stage built-in adjustable thermostat	AS	<input type="checkbox"/>
	Two-stage built-in adjustable thermostat		<input type="checkbox"/>
U4L6	Optional left hand connection in place of standard right hand. (Remove U6L4 from catalog number and replace with U4L6)	C	<input type="checkbox"/>

## Accessory Remote Room Thermostat

CATALOG NUMBER	DESCRIPTION	AVAILABILITY CODE (2)	☒
1006998	Single-Stage Low Voltage Remote Thermostat - White - Bimetal	AS	<input type="checkbox"/>
1007030	Two-Stage Low Voltage Remote Thermostat - White - Bimetal		<input type="checkbox"/>
1016941	Low Voltage Electronic Remote Wall Thermostat - White - SSR - 0-10VDC Output		<input type="checkbox"/>
1016942	Low Voltage Electronic Duct Discharge Sensor and Room Set		<input type="checkbox"/>
1016941	Point adjuster - SSR - 0-10VDC Output		

# UHLP P-963 Series

Plenum Rated Units for Enclosed Spaces



**Note:**

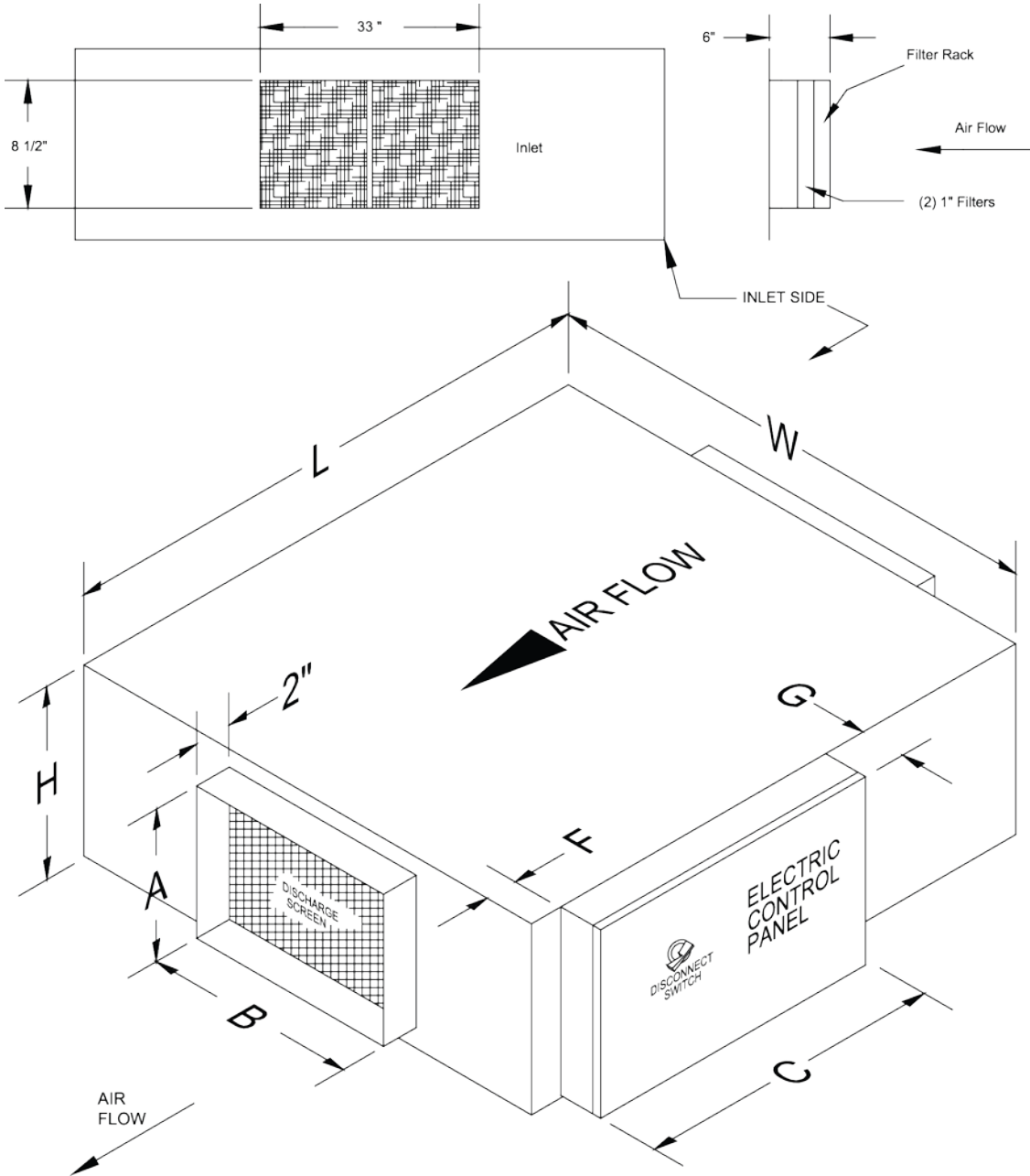
Control panel access right hand (U6L4) is standard as shown. For panel on opposite side access specify left hand (U4L6).

Dimensions								
P-963	C In.	F In.	G In.	H In.	L In.	W In.	Discharge	
							A	B
5 & 10 KW	28.75	1	6	11.75	45	26	8	10

Note: Dimensions C and G will vary with accessories.

# UHLP P-963 Series

Plenum Rated Units for Enclosed Spaces



**Note:**

Control panel access right hand (U6L4) is standard as shown. For panel on opposite side access specify left hand (U4L6).

Dimensions								
P-963	C	F	G	H	L	W	Discharge	
	In.	In.	In.	In.	In.	In.	A	B
12, 15 & 18 KW	28.75	2	6	11.75	45	43	8	20

Note: Dimensions C and G will vary with accessories.

### **ARCHITECT'S AND ENGINEER SPECIFICATIONS**

The electric plenum rated unit shall be by Indeeco and assembled in U.S.A.

Units shall be certified by ETL and comply with UL1995 and NEC requirements for horizontal discharge mounting. All capacities, voltages and options shall be as specified in the heater schedule. All three-phase heaters shall have a balanced heating load. Control voltage with built-in transformer shall be 24 VAC.

**CABINET** - The cabinet shall be of 20 gauge galvanized steel with 1” of acoustic fiberglass insulation. Inlet and outlet shall be fitted with protective screens and suitable for duct connection. Access panels to fan(s) shall be on both sides of the cabinet. Heater control enclosure shall be dust tight.

**HEATING ELEMENTS** - The heating elements shall be 80% nickel and 20% chromium resistance wire. The heating elements shall be located directly in front of the blower discharge for uniform heating.

**OPERATION** – The heater and fan(s) operation shall be controlled by either built-in or remote thermostat. Fan motor speed shall be field adjusted to provide desired temperature rise.

**SAFETY THERMAL CUTOUPS** - An automatic resetting thermal cutout for primary and fuse link cutout(s) for secondary over-temperature protection shall be built into the unit to provide zero clearance to combustible materials.

**MOTOR AND BLOWER ASSEMBLY** - The PSC motor(s) and blower(s) shall be direct drive and resiliently mounted on a rigid heavy gauge frame for quiet operation and long life. The motor(s) shall be rated for continuous operation and be provided with automatic reset overload. The blower(s) shall be forward curved, double inlet, centrifugal type with discharge directly on the full length of the elements to provide uniform discharge air temperatures.

**AIR FILTERS**- Inlet filter(s) shall be provided to assure clean air circulation. The throw away filter(s) shall be easily removed for changing from outside of the unit.

**DISCONNECT SWITCH** -The unit shall have a door interlocking disconnect rated at a minimum of 125% of the total electrical load and shall have single point electrical connection for the unit.

**BUILT-IN CONTROLS** - Clearly labeled power and control terminal blocks shall be provide for all field electrical connections. Pressure differential airflow switch(s) shall be provide to interlock airflow with the operation of the unit. Power fusing shall be provided for units over 48 amps as required by NEC. Magnetic disconnecting contactor(s) for stage and safety control circuit interlock, fan relay and adjustable motor speed controller shall be provided. Control terminal block shall allow for remote disabling of the fan, remote switch is to be provided by the installer.

**TEMPERATURE CONTROL** - The unit is designed to be controlled by a remote thermostat. Thermostat field connections shall be made at a clear marked control terminal block located inside the heater enclosure.

# UHLP P-963 Series

## Plenum Rated Units for Enclosed Spaces



**FAN SPEED** – Variable fan motor speed control shall be field adjustable to increase temperature rise, factory set at maximum. Controller shall be located inside the control enclosure for ease of adjustment.

The following Factory Installed and prewired Optional Controls shall be as specified in the heater schedule.

- Built-in thermostat for 1 or 2 staged controlled units
- SSR controlled heater (requires remote thermostat control of 0-10VDC, 4-20mA or 0-135 ohm)
- Left hand (U4L6) heater terminal box connection

The following Field Installed Optional Equipment shall be supplied as specified in heater schedule

- Low voltage remote wall mounted 1 or 2-stage thermostat for staged controlled heaters
- Remote wall mounted proportional 0-10VDC thermostat for SSR controlled heater

### PRESSURE DROP

#### 5 & 10kW All Unit Voltages

CFM	Discharge Static Pressure in Inches				
	0.1	0.2	0.3	0.4	0.5
Max.	900	875	850	820	800
Min.	380	350	340	330	320

#### 12, 15 & 18 kW All Unit Voltages

CFM	Discharge Static Pressure in Inches				
	0.1	0.2	0.3	0.4	0.5
Max.	1570	1500	1420	1350	1260
Min.	820	800	790	750	720