

Indeeco's low profile plenum heaters are the perfect choice for low clearance applications in ceilings and floors

Product Features

Standard Features

- 20 Gauge galvanized cabinet
- Variable speed motor
- Acoustically insulated with 1" fiberglass
- Access panels on bottom of unit
- 24 Volt controls / Disconnect switch
- Single point connection / Terminal blocks
- Dust tight control enclosure
- Air flow switch
- Automatic primary limit control
- Filter rack on inlet with throw away filter
- Inlet and outlet screens and duct connection

Optional Features

- Wall thermostat, unit thermostat or SSR control which proportionally regulates heat output
- Left hand connection in place of standard right

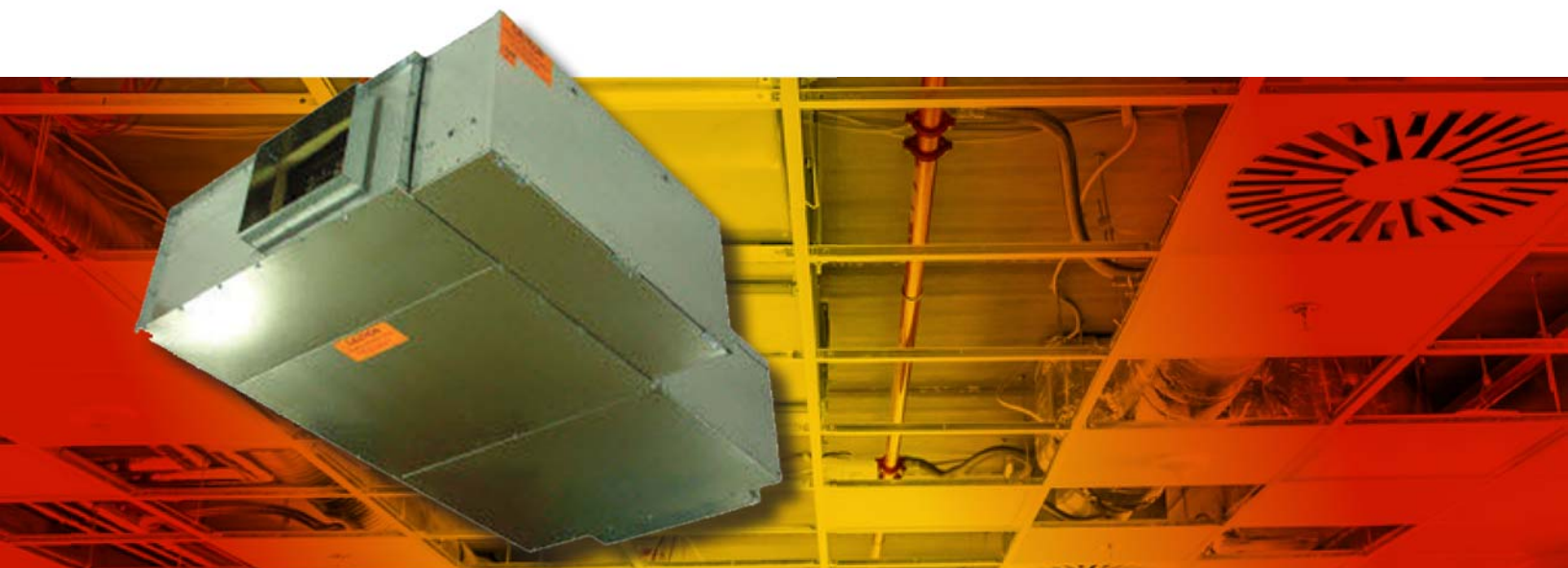
Industry Applications

- Low clearance ceilings
- Low clearance floors

Certifications



Conforms to ANSI/UL 1995
Certified to CAN/CSA C 22.2 No.236-11



Our products do more in a wide range of applications. **Expect More.**

Standard Plenum Heater Models

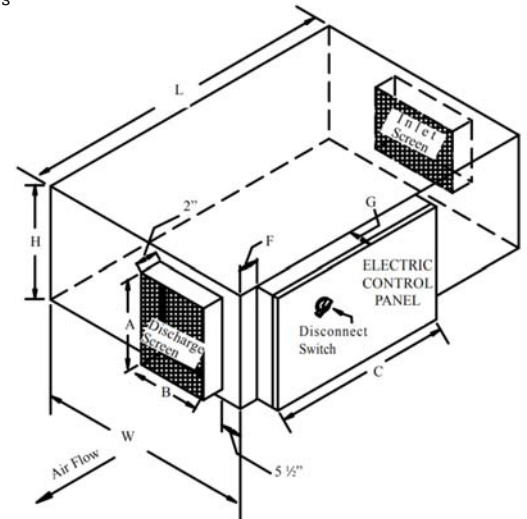
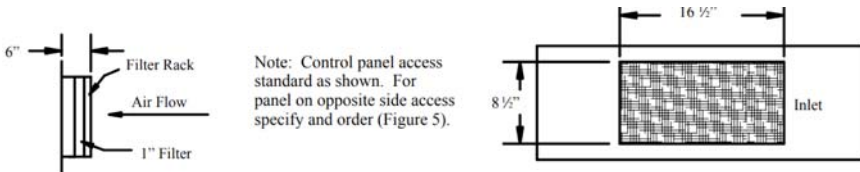
CATALOG NUMBER	KW	CFM RANGE	VOLTS/ PHASE (1)	TOTAL AMPS for MOTOR & HEATER	STAGE	MOTOR VOLT-AGE	FULL LOAD AMPS for MOTOR ONLY	MOTOR H.P.	WT. (LBS)	AVAILABILITY CODE (2)
P-963U1N05C-DU6L4	5	170-950	208/1	26	1	277	2	1/4	163	C
P-963U1N05J-DU6L4			240/1	22		277				
P-963U1N05N-DU6L4			277/1	20		277				
P-963U1N05D-DU6L4			208/3	15		277				
P-963U1N05K-DU6L4			240/3	14		277				
P-963U1T05U-DU6L4			480/3	8		480				
P-963U1N10D-DU6L4	10	170-950	208/3	30	1	277	2	1/4	163	
P-963U1N10K-DU6L4			240/3	26		277				
P-963U1T10U-DU6L4			480/3	14		480				
P-963U2N10D-DU6L4			208/3	30		277				
P-963U2N10K-DU6L4			240/3	26		277				
P-963U2T10U-DU6L4			480/3	14		480				
P-963U1N12K-DU6L4	12	270-1500	240/3	32	1	277	3	2 Motors @ 1/4 HP Each	219	
P-963U1T12U-DU6L4			480/3	17		480				
P-963U2N12D-DU6L4			208/3	37		277				
P-963U2N12K-DU6L4			240/3	32		277				
P-963U2T12U-DU6L4			480/3	17		480				
P-963U1N15K-DU6L4			240/3	39		277				
P-963U1T15U-DU6L4	480/3	21	480							
P-963U2N15D-DU6L4	15	270-1500	208/3	45	2	277	4	2 Motors @ 1/4 HP Each	219	
P-963U2N15K-DU6L4			240/3	39		277				
P-963U2T15U-DU6L4			480/3	21		480				
P-963U1T18U-DU6L4			480/3	25		480				
P-963U2T18U-DU6L4			480/3	25		480				

(1) 60 Hz only

(2) AS = Assemble Stock, AS listed heaters ordered with custom (C) features are subject to longer lead times

Product Dimensions

P963 Series	C	F	G	H	L	W	Discharge	
							A	B
5 kW & 10 KW	28", 75"	1"	6"	11.75"	45"	26"	8"	10"



P963 Series	C	F	G	H	L	W	Discharge	
							A	B
12 kW, 15 kW & 10 KW	28", 75"	2"	6"	11.75"	45"	43"	8"	20"

