



M&S Series Power Controllers

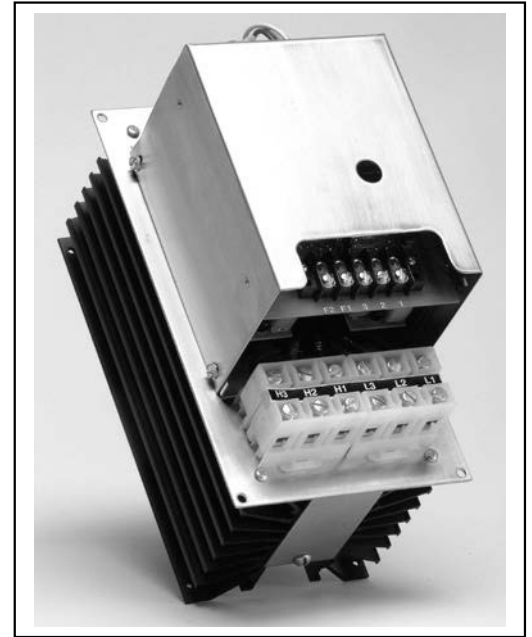
Operation

The M&S Series can be used to replace earlier models of H&J Series and D&E Series power controllers. Contact the factory for additional information and cross-referencing.

M&S Series power controllers are solid-state, zero-cross fired, proportional devices. Line voltage is switched 0-100% linearly, with respect to the input range. A 4 second time-base controls power to the load. For example, a 5VDC signal to a 0-10VDC input will cycle the output full on for 2.0 seconds and full off for 2.0 seconds. Line voltage is used to power the electronics. An external transformer is not required. An Input Board with 0.1 Second Time-Base (0-10VDC Input) is available for use with generator powered systems.

Features of these controllers include an LED to indicate when the output should be on. Also, the output will be shut off if the input signal is disconnected or the input is shorted.

Masters can operate alone or can drive numerous slaves to control multiple loads. Slaves can be driven from other controllers with a pulsing-DC type output (see specifications).



Catalog and Part Numbers:

1 0 1 - M 3 - 4 8 0 - 5 0 - E - W - 2055

Mounting	Type	AC Voltage	Max Current	Input Code	Gasket Kit	Time Base
101 = Through panel	M = master	120 = 120V	50 = 50 amps	A = 2200 ohm	W = included	*2055 = 0.1S
	S = slave	208 = 208V	70 = 70 amps	C = 135 ohm	blank = (none)	blank = 1 S
	AC Phase	240 = 240V		E = 4-20mA		
	1 = 1 phase	277 = 277V		L = 0-10VDC		*2055 Option
	3 = 3 phase	480 = 480V		blank = slave		Only available
		600 = 600V				with 0-10VDC
						input type

Note: Input boards can be changed in the field to reconfigure the power controller.

Some models, i.e. 440VAC, have a separate 120VAC transformer for the electronics.

Contact the factory for other catalog and part numbers not shown above.

Specifications

Storage Temp: -40° to 190°F

Operating Temp: -40°F to 132°F

UL Recognized: File E52105 Guide XAPX2

Isolation: 2500Vrms input to output

Isolation: 2500Vrms output to heatsink

Line Voltage: +/- 10% of AC Voltage rating

Frequency: 47 to 63 Hertz, sinewave only

Load Current: 0.5A to Max Current rating

Load Wire Range: 2-18 AWG, copper only

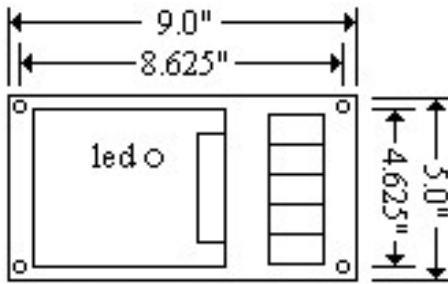
Input Impedance: 250Ω (mA), 47KΩ (VDC)

Input Wire Range: 16-22 AWG, copper only

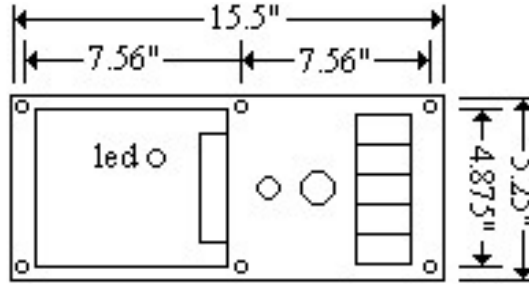
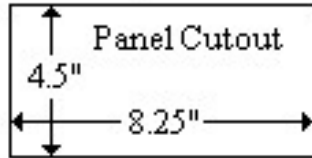
Slave Input: 3.0-12VDC, 270KΩ impedance

UL Type 4X with option "W" gaskets.

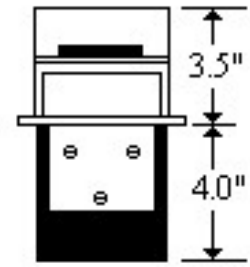
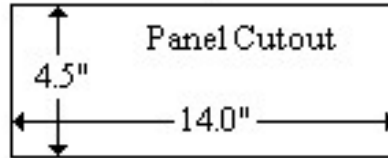
Panel gasket and screws shipped loose.



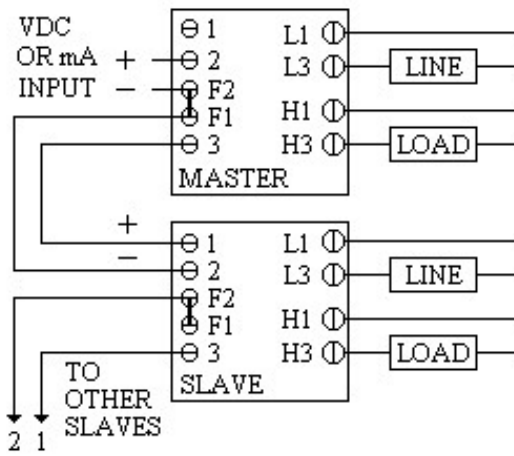
50 Amp Models



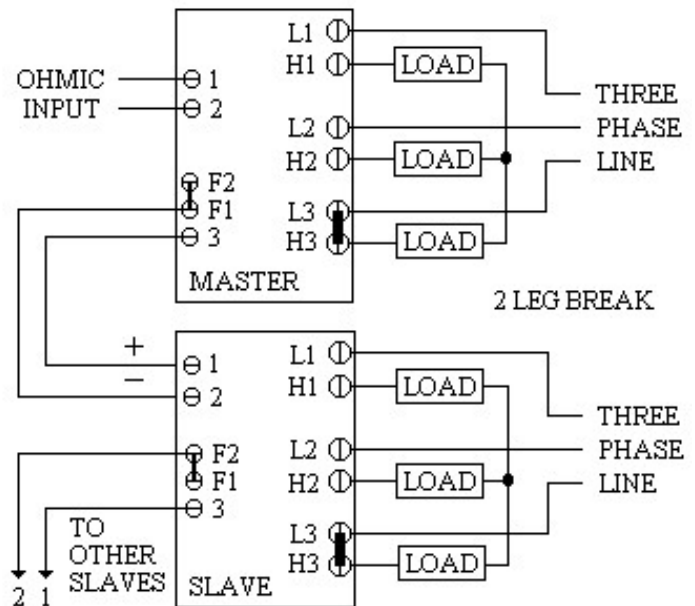
70 Amp Models



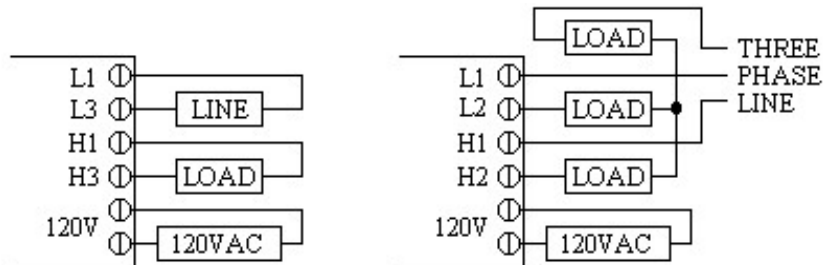
Physical Dimensions



Wiring Diagrams:
1 phase and 3 phase units



Wiring Diagrams:
120VAC Electronics Transformer



INDECO CONTROLS
425 Hanley Industrial Ct
St. Louis, MO 63144

phone: 314-644-4300
fax: 314-644-5332
www.indeco.com

Input Board Specifications

Input Code	Full Off	Full On	Board Part #
A = 2200 ohms	2150 ohms	2250 ohms	1034200
C = 135 ohms	20 ohms	120 ohms	1034201
E = 4-20mA	5.6 mA	18.4 mA	1034202
L = 0-10VDC	1.0 VDC	9.0 VDC	1034203
L With '-2055' 0.1S Time Base	1.0 VDC	9.0VDC	1034203-2055
S = slave	< 3.0 VDC	>3.0 VDC	1034204