

UNIT HEATER ULIR SERIES SUBMITTAL



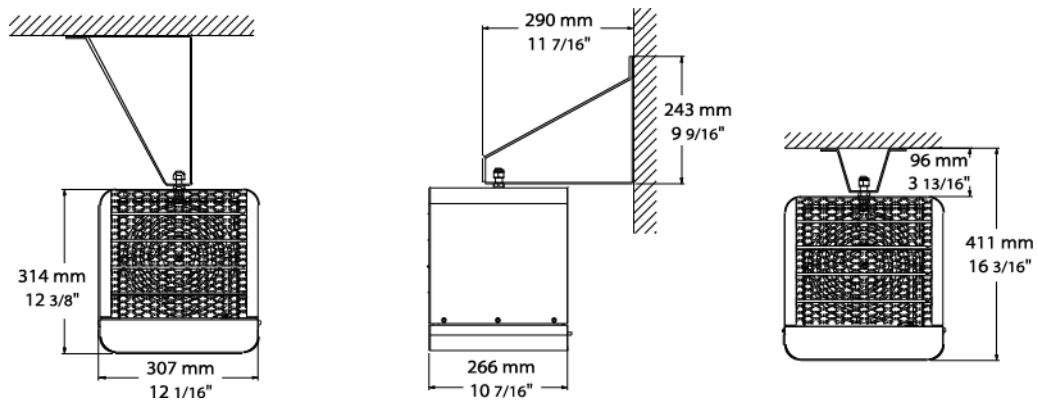
Page 1 of 1



Adjustable thermostat is included.

Watts	Volts	Phase	Total Amps (1)	CFM	Approximate Air Temperature Rise °F (°C)	Weight lb (kg)	Catalog Number	<input checked="" type="checkbox"/>
2000/1500	240/208	1	8.7/7.6	300	21/16 (12/9)	20 (9)	925U02000VA	<input type="checkbox"/>
3000/2250	240/208	1	12.9/11.2	300	32/24 (18/13)	20 (9)	925U03000VA	<input type="checkbox"/>
5000/3750	240/208	1	21.2/18.4	300	53/40 (29/22)	20 (9)	925U05000VA	<input type="checkbox"/>

(1) Total Amps = Heating element amps and motor amps.
Only available with almond finish.
All units include both ceiling and wall mounting brackets.



Architect's and Engineer's Specifications

The specified heating equipment shall include an electric, fan-forced air unit heater suitable for space heating as manufactured by INDEECO. The unit heater shall be designed for mounting in the horizontal position. Heaters shall be third party approved to CSA standards. Reference UL standard 2021.

Heating Housing shall be made from 20 gauge steel. Individual adjustable louvers with 30 degree downward stops shall be furnished to provide the desired control of discharge air. Cabinet finish shall be an almond epoxy/polyester powder paint. Mounting brackets designed for either ceiling or wall mounting shall be furnished as shown. Housing shall include an outlet protective screen. Screen shall prohibit debris from reaching the element compartment.

Heater Elements shall be nickel-chromium wire which provides instant heat with no residual heat. The element is installed on high-strength and specially designed insulation ceramic for quiet and smooth operation. The open-coil element is also humidity proof.

Fan and Motor shall be permanently lubricated and totally enclosed. Fan and motor shall be located upstream of heating elements. This location allows the motor to run cooler and have a longer life expectancy. The motor shall be thermally protected. Fan shall operate at 300 CFM minimum.

Thermal Cutout shall be built-in to every heater and wired for instantaneous deenergizing of the heating elements.

Thermostat shall be built-in to heater and adjustable from 50-109°F through main control compartment.