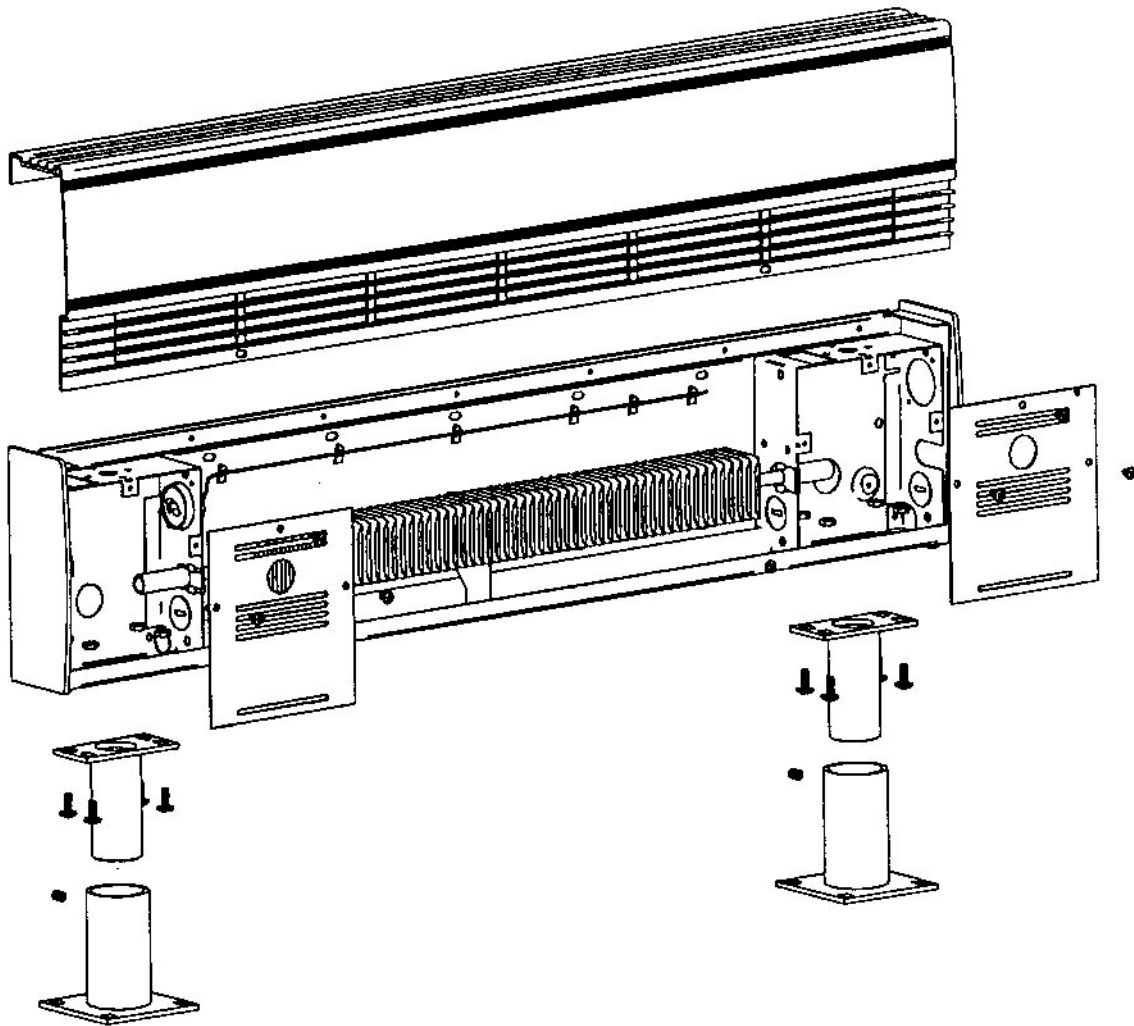




INSTALLATION, OPERATION AND MAINTENANCE INSTRUCTIONS FOR INDEECO PEDESTALS "BCI/BCSI/BII/BISI SERIES"

1. Remove baseboard front panel and junction box cover.
2. Install pedestals on the bottom of the junction box using screws and nuts provided.
3. Tightly secure pedestals to the floor.
4. Adjust baseboard height using the set screws.



INDEECO
425 Hanley Industrial Court
St. Louis, MO 63144
Phone: (314) 644-4300 Fax: (314) 644-5332
www.indeeco.com