



# INSTALLATION, OPERATION AND MAINTENANCE INSTRUCTIONS FOR THE BUILT-IN THERMOSTAT OPTION FOR ARCHITECTURAL BASEBOARD HEATER “BAI SERIES” T1 (SINGLE POLE), T2 (DOUBLE POLE)

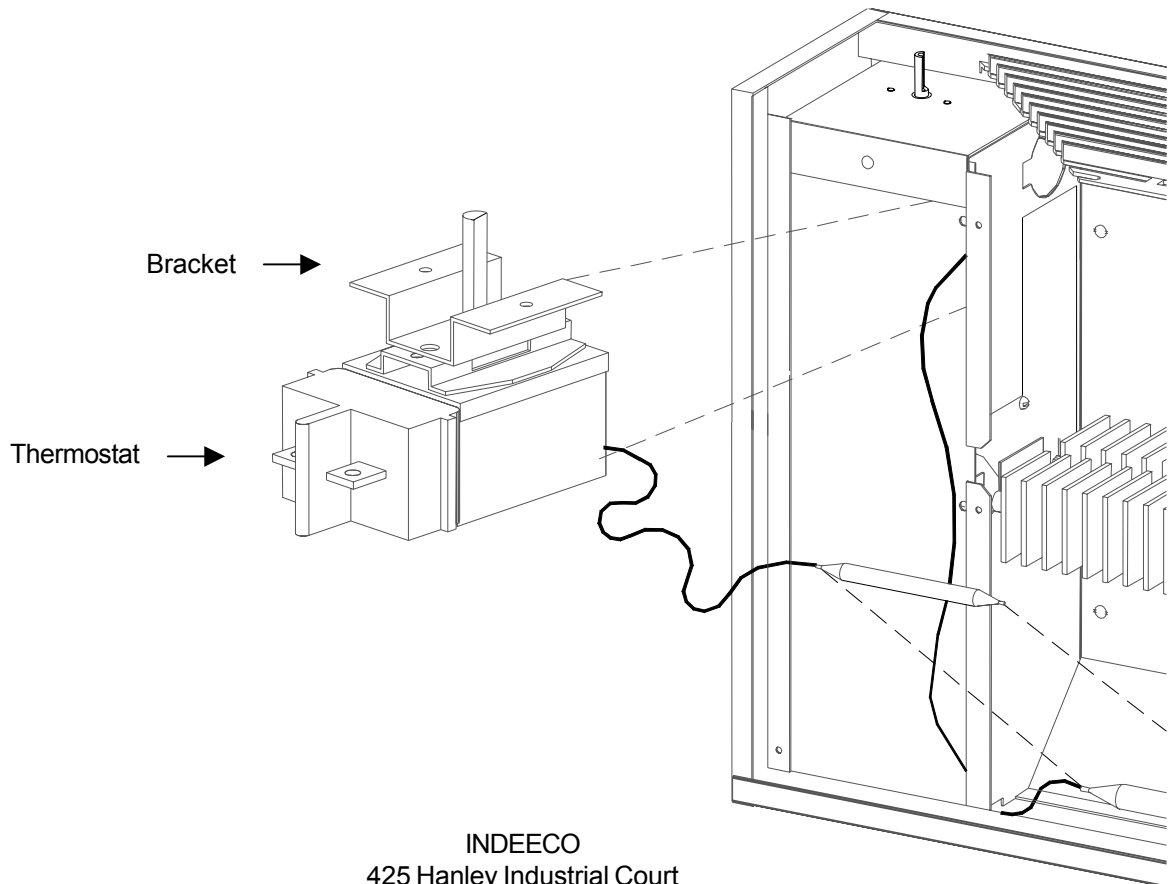
1. Remove front cover, the upper and lower grille and the junction box cover.
2. Attach the thermostat to the bracket and the bracket to the upper section of the connection box.
3. Run the capillary to the base of the junction box and attach the bulb to the raceway.
4. Electrical characteristics:
  - Single pole (T1)  
30 Amps at 240 Volts  
15 Amps at 600 Volts
  - Double pole (T2)  
15 Amps at 600 Volts
5. To control a load greater than thermostat rating use a relay option.
6. Make connection according to local and national codes. (See wiring diagram supplied with the heater).
7. Replace each cover before testing the heater.

### BUILT-IN THERMOSTAT SETTING (option)

The built-in thermostat can be set with a small screwdriver through the upper bar grille. To set the thermostat at the desired temperature:

- Set thermostat at maximum temperature (turn clockwise).
- When the desired temperature is reached, turn the thermostat counter-clockwise slowly until you hear a “click”.

The thermostat will keep this room temperature.



INDEECO  
425 Hanley Industrial Court  
St. Louis, MO 63144  
Phone: (314) 644-4300 Fax: (314) 644-5332  
www.indeeco.com