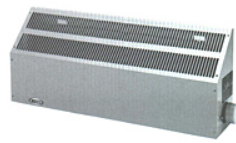


CONVECTOR



Class I, Divisions 1 & 2, Groups B, C & D
Ignition Temperature Code T2A, 536°F (280°C)



Use these heaters when ordering heaters without optional built-on controls

kW	Volts (1)	Phase	Total Amps	Unit Size	Catalog Number	Availability Code (3)
0.5	120	1	4.2	1	254-F0310052B	AS
	208	1	2.4		254-F0310052C	
	240	1	2.1		254-F0310052J	
	277	1	1.8		254-F0310052N	
1	120	1	8.3	1	254-F0310102B	
	208	1	4.8		254-F0310102C	
	240	1	4.2		254-F0310102J	
	277	1	3.6		254-F0310102N	
1.8	120	1	15.0	2	254-F0320182B	
	208	1	8.7		254-F0320182C	
	240	1	7.5		254-F0320182J	
	277	1	6.5		254-F0320182N	
	347	1	5.2		254-F0320182I	
	480	3	2.2		254-F0320182U	
	600	3	1.8		254-F0320182Z	
2.5	208	1	12.0	2	254-F0320252C	
	208	3	6.9		254-F0320252D	
	240	1	10.4		254-F0320252J	
	277	1	9.0		254-F0320252N	
	347	1	7.2		254-F0320252I	
	480	3	3.0		254-F0320252U	
	600	3	2.4		254-F0320252Z	
3.6	208	1	17.3	3	254-F0330362C	
	208	3	10.0		254-F0330362D	
	240	1	15.0		254-F0330362J	
	277	1	13.0		254-F0330362N	
	347	1	10.4		254-F0330362I	
	480	3	4.3		254-F0330362U	
	600	3	3.5		254-F0330362Z	
4.4	208	3	12.2	3	254-F0330442D	
	240	1	18.3		254-F0330442J	
	277	1	15.9		254-F0330442N	
	347	1	12.7		254-F0330442I	
	480	3	5.3		254-F0330442U	
	600	3	4.3		254-F0330442Z	

Optional Built-on Controls (see Factory Built-on Options for Pricing)		
Controls Only	Thermostat Only (4) or Thermostat with Controls	<input type="checkbox"/>
N/A	1024754	<input type="checkbox"/>
N/A	1024754	<input type="checkbox"/>
N/A	1024754	<input type="checkbox"/>
N/A	1024754	<input type="checkbox"/>
N/A	1024754	<input type="checkbox"/>
N/A	1024754	<input type="checkbox"/>
N/A	1024754	<input type="checkbox"/>
N/A	1024754	<input type="checkbox"/>
N/R	S2	<input type="checkbox"/>
N/R	S2	<input type="checkbox"/>
N/R	S2	<input type="checkbox"/>
N/R	S2	<input type="checkbox"/>
B2	B3	<input type="checkbox"/>
B2	B3	<input type="checkbox"/>
B2	B3	<input type="checkbox"/>
N/R	S2	<input type="checkbox"/>
B2	B3	<input type="checkbox"/>
N/R	S2	<input type="checkbox"/>
N/R	S2	<input type="checkbox"/>
B2	B3	<input type="checkbox"/>
B2	B3	<input type="checkbox"/>
N/R	S2	<input type="checkbox"/>
N/R	S2	<input type="checkbox"/>
B2	B3	<input type="checkbox"/>
B2	B3	<input type="checkbox"/>
N/R	S2	<input type="checkbox"/>
N/R	S2	<input type="checkbox"/>
B2	B3	<input type="checkbox"/>
B2	B3	<input type="checkbox"/>

kW	Volts (1)	Phase	Total Amps	Unit Size	Catalog Number	Availability Code (3)	Optional Built-on Controls (see Factory Built-on Options for Pricing)				
							Controls Only	Thermostat Only (4) or Thermostat with Controls	<input type="checkbox"/>		
6.5	208	3	18.0	4	254-F0340652D	AS	B2	B3	<input type="checkbox"/>		
	240	1	27.1		254-F0340652J				<input type="checkbox"/>		
	277	1	23.5		254-F0340652N				<input type="checkbox"/>		
	347	1	18.7		254-F0340652I				<input type="checkbox"/>		
	480	3	7.8		254-F0340652U				<input type="checkbox"/>		
	600	3	6.3		254-F0340652Z				<input type="checkbox"/>		
7.5	208	3	20.8	4	254-F0340752D		AS	B2	B3	<input type="checkbox"/>	
	240	1	31.3		254-F0340752J					<input type="checkbox"/>	
	277	1	27.1		254-F0340752N					<input type="checkbox"/>	
	347	1	21.6		254-F0340752I					<input type="checkbox"/>	
	480	3	9.0		254-F0340752U					<input type="checkbox"/>	
	600	3	7.2		254-F0340752Z					<input type="checkbox"/>	
9.5	208	3	26.4	4	254-F0340952D			AS	B2	B3	<input type="checkbox"/>
	240	1	39.6		254-F0340952J						<input type="checkbox"/>
	277	1	34.3		254-F0340952N						<input type="checkbox"/>
	347	1	27.4		254-F0340952I						<input type="checkbox"/>
	480	3	11.4		254-F0340952U						<input type="checkbox"/>
	600	3	9.1		254-F0340952Z						<input type="checkbox"/>

**Class I, Divisions 1 & 2, Groups C & D
Ignition Temperature Code T2A, 536°F (280°C)**

kW	Volts (1)	Phase	Total Amps	Unit Size	Catalog Number	Availability Code (3)	Optional Built-on Controls (see Factory Built-on Options for Pricing)			
							Controls Only	Thermostat Only (4) or Thermostat with Controls	<input type="checkbox"/>	
0.5	120	1	4.2	1	254-F0310053B	AS	N/A	1007002	<input type="checkbox"/>	
	208	1	2.4		254-F0310053C				<input type="checkbox"/>	
	240	1	2.1		254-F0310053J				<input type="checkbox"/>	
	277	1	1.8		254-F0310053N				<input type="checkbox"/>	
1	120	1	8.3	1	254-F0310103B		AS	N/A	1007002	<input type="checkbox"/>
	208	1	4.8		254-F0310103C					<input type="checkbox"/>
	240	1	4.2		254-F0310103J					<input type="checkbox"/>
	277	1	3.6		254-F0310103N					<input type="checkbox"/>

kW	Volts (1)	Phase	Total Amps	Unit Size	Catalog Number	Availability Code (3)
7.5	208	3	20.8	4	254-F0340753D	AS
	240	1	31.3		254-F0340753J	
	277	1	27.1		254-F0340753N	
	347	1	21.6		254-F0340753I	
	480	3	9.0		254-F0340753U	
	600	3	7.2		254-F0340753Z	
9.5	208	3	26.4	4	254-F0340953D	
	240	1	39.6		254-F0340953J	
	277	1	34.3		254-F0340953N	
	347	1	27.4		254-F0340953I	
	480	3	11.4		254-F0340953U	
	600	3	9.1		254-F0340953Z	

Optional Built-on Controls (see Factory Built-on Options for Pricing)		
Controls Only	Thermostat Only (4) or Thermostat with Controls	<input type="checkbox"/>
B2	B2S1	<input type="checkbox"/>
B2	B2S1	<input type="checkbox"/>
B2	B2S1	<input type="checkbox"/>
B2	B2S1	<input type="checkbox"/>
B2	B2S1	<input type="checkbox"/>
B2	B2S1	<input type="checkbox"/>
B2	B2S1	<input type="checkbox"/>
B2	B2S1	<input type="checkbox"/>
B2	B2S1	<input type="checkbox"/>
B2	B2S1	<input type="checkbox"/>
B2	B2S1	<input type="checkbox"/>
B2	B2S1	<input type="checkbox"/>
B2	B2S1	<input type="checkbox"/>
B2	B2S1	<input type="checkbox"/>
B2	B2S1	<input type="checkbox"/>

**Class I, Divisions 1 & 2, Groups B, C & D
Ignition Temperature Code T3A, 356°F (180°C)**

Use these heaters when ordering heaters without optional built-on controls

kW	Volts (1)	Phase	Total Amps	Unit Size	Catalog Number	Availability Code (3)
0.5	120	1	4.2	1	254-F0610052B	AS
	208	1	2.4		254-F0610052C	
	240	1	2.1		254-F0610052J	
	277	1	1.8		254-F0610052N	
1.4	120	1	11.7	2	254-F0620142B	
	208	1	6.7		254-F0620142C	
	240	1	5.8		254-F0620142J	
	277	1	5.1		254-F0620142N	
	347	1	4.0		254-F0620142I	

Optional Built-on Controls (see Factory Built-on Options for Pricing)		
Controls Only	Thermostat Only (4) or Thermostat with Controls	<input type="checkbox"/>
N/A	1024754	<input type="checkbox"/>
N/A	1024754	<input type="checkbox"/>
N/A	1024754	<input type="checkbox"/>
N/A	1024754	<input type="checkbox"/>
N/R	S2	<input type="checkbox"/>
N/R	S2	<input type="checkbox"/>
N/R	S2	<input type="checkbox"/>
N/R	S2	<input type="checkbox"/>
B2	B3	<input type="checkbox"/>

Class I, Divisions 1 & 2, Groups B, C & D
Ignition Temperature Code T3A, 356°F (180°C)

Use these heaters when ordering heaters without optional built-on controls

kW	Volts (1)	Phase	Total Amps	Unit Size	Catalog Number	Availability Code (3)
2.3	120	1	19.2	3	254-F0630232B	AS
	208	1	11.1		254-F0630232C	
	208	3	6.4		254-F0630232D	
	240	1	9.6		254-F0630232J	
	277	1	8.3		254-F0630232N	
	347	1	6.6		254-F0630232I	
	480	3	2.8		254-F0630232U	
	600	3	2.2		254-F0630232Z	
3.2	208	1	15.4	4	254-F0640322C	
	208	3	8.9		254-F0640322D	
	240	1	13.3		254-F0640322J	
	277	1	11.6		254-F0640322N	
	347	1	9.2		254-F0640322I	
	480	3	3.8		254-F0640322U	
	600	3	3.1		254-F0640322Z	
5.0	208	3	13.9	4	254-F0640502D	
	240	1	20.8		254-F0640502J	
	277	1	18.1		254-F0640502N	
	347	1	14.4		254-F0640502I	
	480	3	6.0		254-F0640502U	
	600	3	4.8		254-F0640502Z	

Optional Built-on Controls (see Factory Built-on Options for Pricing)		
Controls Only	Thermostat Only (4) or Thermostat with Controls	<input type="checkbox"/>
N/R	S2	<input type="checkbox"/>
N/R	S2	<input type="checkbox"/>
B2	B3	<input type="checkbox"/>
N/R	S2	<input type="checkbox"/>
N/R	S2	<input type="checkbox"/>
B2	B3	<input type="checkbox"/>
B2	B3	<input type="checkbox"/>
B2	B3	<input type="checkbox"/>
N/R	S2	<input type="checkbox"/>
B2	B3	<input type="checkbox"/>
N/R	S2	<input type="checkbox"/>
N/R	S2	<input type="checkbox"/>
B2	B3	<input type="checkbox"/>
B2	B3	<input type="checkbox"/>
B2	B3	<input type="checkbox"/>
N/R	S2	<input type="checkbox"/>
N/R	S2	<input type="checkbox"/>
B2	B3	<input type="checkbox"/>
B2	B3	<input type="checkbox"/>

**Class I, Divisions 1 & 2, Groups C & D
Ignition Temperature Code T3A, 356°F (180°C)**

kW	Volts (1)	Phase	Total Amps	Unit Size	Catalog Number	Availability Code (3)	Optional Built-on Controls (see Factory Built-on Options for Pricing)		
							Controls Only	Thermostat Only (4) or Thermostat with Controls	<input type="checkbox"/>
0.5	120	1	4.2	1	254-F0610053B	AS	N/A	1007002	<input type="checkbox"/>
	208	1	2.4		254-F0610053C		N/A	1007002	<input type="checkbox"/>
	240	1	2.1		254-F0610053J		N/A	1007002	<input type="checkbox"/>
	277	1	1.8		254-F0610053N		N/A	1007002	<input type="checkbox"/>
1.4	120	1	11.7	2	254-F0620143B		N/R	S1	<input type="checkbox"/>
	208	1	6.7		254-F0620143C		N/R	S1	<input type="checkbox"/>
	240	1	5.8		254-F0620143J		N/R	S1	<input type="checkbox"/>
	277	1	5.1		254-F0620143N		N/R	S1	<input type="checkbox"/>
	347	1	4.0		254-F0620143I		B2	B2S1	<input type="checkbox"/>
2.3	120	1	19.2	3	254-F0630233B		N/R	S1	<input type="checkbox"/>
	208	1	11.1		254-F0630233C		N/R	S1	<input type="checkbox"/>
	208	3	6.4		254-F0630233D		B2	B2S1	<input type="checkbox"/>
	240	1	9.6		254-F0630233J		N/R	S1	<input type="checkbox"/>
	277	1	8.3		254-F0630233N		N/R	S1	<input type="checkbox"/>
	347	1	6.6		254-F0630233I		B2	B2S1	<input type="checkbox"/>
	480	3	2.8		254-F0630233U		B2	B2S1	<input type="checkbox"/>
	600	3	2.2		254-F0630233Z		B2	B2S1	<input type="checkbox"/>
3.2	208	1	15.4	4	254-F0640323C		N/R	S1	<input type="checkbox"/>
	208	3	8.9		254-F0640323D		B2	B2S1	<input type="checkbox"/>
	240	1	13.3		254-F0640323J		N/R	S1	<input type="checkbox"/>
	277	1	11.6		254-F0640323N		N/R	S1	<input type="checkbox"/>
	347	1	9.2		254-F0640323I		B2	B2S1	<input type="checkbox"/>
	480	3	3.8		254-F0640323U		B2	B2S1	<input type="checkbox"/>
	600	3	3.1		254-F0640323Z		B2	B2S1	<input type="checkbox"/>
5.0	208	3	13.9	4	254-F0640503D		B2	B2S1	<input type="checkbox"/>
	240	1	20.8		254-F0640503J		N/R	S1	<input type="checkbox"/>
	277	1	18.1		254-F0640503N		N/R	S1	<input type="checkbox"/>
	347	1	14.4		254-F0640503I		B2	B2S1	<input type="checkbox"/>
	480	3	6		254-F0640503U	B2	B2S1	<input type="checkbox"/>	
	600	3	4.8		254-F0640503Z	B2	B2S1	<input type="checkbox"/>	

**Class II, Divisions 1 & 2, Groups E, F & G
Ignition Temperature Code T3C, 320°F (160°C)**

kW	Volts (1)	Phase	Total Amps	Unit Size	Catalog Number	Availability Code (3)	Optional Built-on Controls (see Factory Built-on Options for Pricing)		
							Controls Only	Thermostat Only (4) or Thermostat with Controls	<input type="checkbox"/>
0.5	120	1	4.2	1	254-F0810054B	AS	N/A	1007002	<input type="checkbox"/>
	208	1	2.4		254-F0810054C		N/A	1007002	<input type="checkbox"/>
	240	1	2.1		254-F0810054J		N/A	1007002	<input type="checkbox"/>
	277	1	1.8		254-F0810054N		N/A	1007002	<input type="checkbox"/>
1.0	120	1	8.3	2	254-F0820104B		N/R	S1	<input type="checkbox"/>
	208	1	4.8		254-F0820104C		N/R	S1	<input type="checkbox"/>
	240	1	4.2		254-F0820104J		N/R	S1	<input type="checkbox"/>
	277	1	3.6		254-F0820104N		N/R	S1	<input type="checkbox"/>
	347	1	2.9		254-F0820104I		B2	B2S1	<input type="checkbox"/>
1.7	120	1	14.2	3	254-F0830174B		N/R	S1	<input type="checkbox"/>
	208	1	8.2		254-F0830174C		N/R	S1	<input type="checkbox"/>
	208	3	4.7		254-F0830174D		B2	B2S1	<input type="checkbox"/>
	240	1	7.1		254-F0830174J		N/R	S1	<input type="checkbox"/>
	277	1	6.1		254-F0830174N		N/R	S1	<input type="checkbox"/>
	347	1	4.9		254-F0830174I		B2	B2S1	<input type="checkbox"/>
	480	3	2		254-F0830174U		B2	B2S1	<input type="checkbox"/>
	600	3	1.6		254-F0830174Z		B2	B2S1	<input type="checkbox"/>
3.2	208	1	15.4	4	254-F0840324C		N/R	S1	<input type="checkbox"/>
	208	3	8.9		254-F0840324D		B2	B2S1	<input type="checkbox"/>
	240	1	13.3		254-F0840324J		N/R	S1	<input type="checkbox"/>
	277	1	11.6		254-F0840324N		N/R	S1	<input type="checkbox"/>
	347	1	9.2		254-F0840324I		B2	B2S1	<input type="checkbox"/>
	480	3	3.8		254-F0840324U		B2	B2S1	<input type="checkbox"/>
	600	3	3.1		254-F0840324Z		B2	B2S1	<input type="checkbox"/>

- (1) Convector are 60/50 Hz rated
- (2) Price includes wall mounting brackets
- (3) AS = Assembly Stock, AS listed heaters ordered with custom (C) features are subject to longer lead times.
- (4) Thermostat only is load carrying or remote.

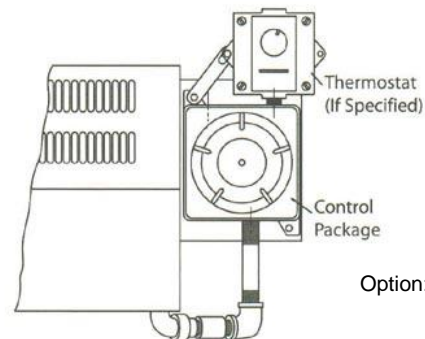
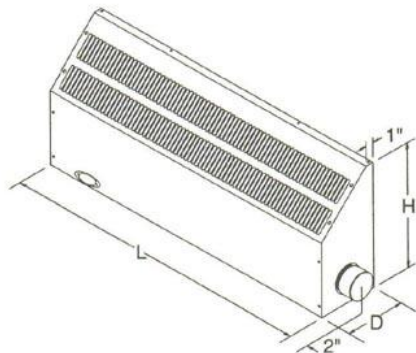
Factory Built-in Options

Code	Option	Description	Availability Code	<input checked="" type="checkbox"/>	
B2	Electric Control Option (1) (without thermostat)	Classes I and II, Groups B, C, D, E, F & G includes contactor and transformer (as required). Required for all three-phase and single-phase heaters over 22 amps or 277 volts.	AS	<input type="checkbox"/>	
B2S1	Thermostat & Controls (1)	Classes I & II, Groups C, D, E, F, G includes thermostat, contactor and transformer (as required).	AS	<input type="checkbox"/>	
B3	Thermostat & Controls (Group B) (1)	Classes I & II Groups, B, C, D, E, F, G includes thermostat, contactor and transformer (as required). Thermostat has internal set point.	AS	<input type="checkbox"/>	
C1	Wet Locations	NEMA 3 rated heater construction not available with S1, B2-S1 & S2 thermostat options.	Size	C	<input type="checkbox"/>
			1		<input type="checkbox"/>
			2		<input type="checkbox"/>
			3		<input type="checkbox"/>
S1	Thermostat Only (1)	Classes I & II, Groups C, D, E, F, G single-phase heaters rated up to 22 amps at 120-277 volts. Use remote room thermostat Cat. 1007002 for size 1 convectors.	AS	<input type="checkbox"/>	
S2	Thermostat Only (Group B)(1)	Classes I & II Groups B, C, D, E, F, G single-phase heaters rated up to 22 amps at 120-277 volts. Thermostat has internal set point. Use remote room thermostat catalog number 1007022 for size 1 convectors.	AS	<input type="checkbox"/>	

(1) These options are not available on Size 1 convectors.

Dimensions and Weights

Unit Sizes	Dimensions – In. (cm)			Weight – Lb (kg)
	Length (L)	Height (H)	Depth (D)	Without Controls
1	26 (66)	6 (15)	4-1/2 (11)	13 (5.9)
2	26 (66)	16 (41)	8 (20)	27 (12.2)
3	39 (99)	16 (41)	8 (20)	36 (16.3)
4	67 (171)	16 (41)	8 (20)	60 (27.2)



Option: B2/S1