



Phone: (314) 644-4300, Fax: (314) 644-5332  
www.indeeco.com

## INSTRUCTIONS “WRI” Series



### WARNING



When using electrical appliances, basic precautions should always be taken to reduce the risk of fire, electrical shock and injury, including the following.

Read carefully these instructions before installation, operation of the heater. Failure to adhere to the instructions could result in fire, electric shock, serious personal injury, and death or property damage. Review frequently for continuing safe operation and instruction of future users, if necessary.

## IMPORTANT INSTRUCTIONS

- Read all instructions before using this heater.
- This heater is hot when in use. To avoid burns, do not let bare skin touch hot surfaces. Keep combustible materials, like furniture, pillows, bedding, papers, clothes, and curtains at least 36 in. (915 mm) from the front of the heater.
- Do not use outdoors.
- Do not insert or allow foreign objects to enter any ventilation or exhaust opening as this may cause an electric shock or fire, or damage the heater.
- Do not block air intakes or exhaust in any way whatsoever.
- This heater has hot and arcing or sparking parts inside. Do not use it in areas where gasoline, paint, or flammable liquids are used or stored.
- Use this heater only as described in this manual. Any other use not recommended by the manufacturer may cause fire, electric shock, or injury.
- This heater includes a visual alarm to warn that parts of the heater are getting excessively hot. If the light turns on, immediately turn the heater off and inspect for any objects on or adjacent to the heater that may cause high temperatures. **DO NOT OPERATE THE HEATER WITH THE ALARM LIGHT IS ON.**
- The thermostat should not be considered as an infallible system where maintaining a temperature is considered critical. Examples: Hazardous material storage, computer room, etc. In these particular cases, it is imperative to add a monitoring system to avoid the consequences of a failure of the thermostat.

**KEEP THESE INSTRUCTIONS.**

## IMPORTANT

- 1- Install the heater with the air outlet at least 10 in. (254 mm) from the floor (Fig. 2).
- 2- Do not obstruct the front of the heater for at least 48 in. (1200 mm).
- 3- Do not install the inside of the heater assembled directly in the wall. Always install the heater in the wall with the recess box.

## INSTALLATION INSTRUCTIONS

### RECESS WALL MOUNTING:

- 1- Heater must be used with the recess box. May be recessed in 2X3 in. stud wall.
- 2- Provide an opening as shown on drawing, a minimum of 3 in. (76 mm) deep (Fig. 1).
- 3- Remove the appropriate knock-out from the heater box for the electrical supply. The heater junction box volume is 35 in.<sup>3</sup> (576 cm<sup>3</sup>).
- 4- Install the heater and be sure that the heater is attached firmly with the provided screws. Make sure that the edge on each side of the recess box lean on the drywall and not on the structural parts of the wall. See marking on the sides of the recess box.
- 5- Connect the heater leads to the supply leads according to the wiring diagram of these instructions in accordance with local and national codes.
- 6- Install the grille using the provided screws. Make sure that the fan blade is free to rotate and the heater assembly is free of foreign objects and/or matter. Make sure that the solid panel of the grille covers the supply connection box.
- 7- Test heater by temporarily adjusting the thermostat at maximum temperature.

### SURFACE WALL MOUNTING:

- 1- The surface box must be used with the recess box of the heater.
- 2- Locate the power supply leads behind the surface box.
- 3- Mount the surface box securely to the wall with the provided screws.
- 4- Follow instructions 3 to 7 mentioned previously in the recess wall mounting section.

### OPTIONAL THERMOSTAT:

Refer to the instruction supplied with the option.

## MAINTENANCE INSTRUCTIONS

- Once a year, remove the front panel and use a vacuum cleaner to remove the dust accumulation inside the heater.
- Cleaning should be done while the heater is disconnected from the main service panel. Wait until the housing and heating element cool before performing maintenance.
- Replace the front panel before energizing.
- Any other servicing should be performed by a qualified technician.

### WARRANTY:

The manufacturer warrants the component parts of its products against defects in material and workmanship for a one year period following the date of purchase, under normal use and service, when proof of purchase of such is provided to the manufacturer. The obligation of the manufacturer, under the terms of this warranty, will be to supply a new unit and this releases the manufacturer from paying the installation costs or other secondary charges linked to replacing the unit or the component part(s).

Fig. 1

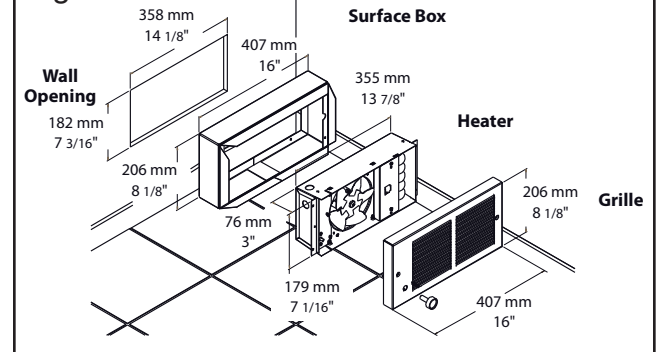
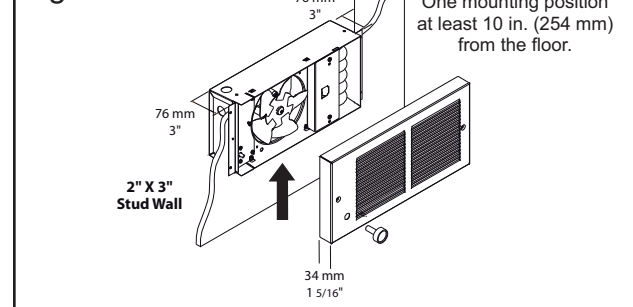
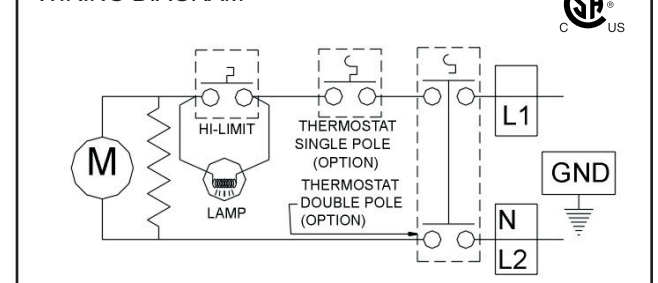


Fig. 2



WIRING DIAGRAM



INS128-200506-02