



425 Hanley Industrial Court, St. Louis, MO 63144
 Phone: (314) 644-4300, Fax: (314) 644-5332
 www.indeeco.com

INSTALLATION INSTRUCTIONS "ULI Series"

THE INSTALLATION MUST BE EXECUTED
 BY A QUALIFIED TECHNICIAN



IMPORTANT

- Disconnect all power supplies before working on any of the circuits.
- Do not use to heat air containing combustible materials.
- Mount out of reach.

Minimum clearance (or maximum if indicated) to respect				
	Under	Front	Top	Sides
Canada	24 in. 610 mm	5 in. 130 mm	3 1/2 in. 89 mm	5 in. 130 mm
USA	6 ft. 1.8 m	5 in. 130 mm	3 1/2 in. 89 mm	5 in. 130 mm

LOCATION OF HEATER

- For best results, do not exceed a mounting height of 8 ft. (2.4 m) from the floor.
- Direct discharge streams:
 - away from room occupants,
 - away from columns, posts, machinery and partitions,
 - parallel to outside walls,
 - along the windward side of buildings exposed to prevailing winds.
- Small rooms require only one unit heater. In large rooms arrange multiple units to provide perimeter circulation.

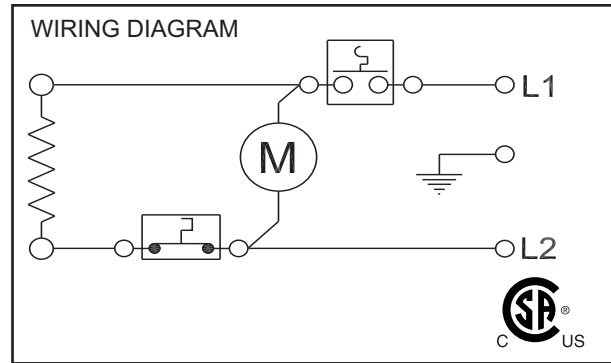
WHEN USING A REMOTE THERMOSTAT

Locate thermostat on interior wall or post (insulate from cold steel posts), away from cold drafts, internal heat sources and from heater discharge.

OVERTEMPERATURE PROTECTION

- The motor and the heater elements are protected against overheating by automatic thermal hi-limits.
- Cycling of the hi-limit is an indication of abnormal operation and should be corrected immediately.

**KEEP THESE INSTRUCTIONS
 INS107-200301-06**



BUILT-IN THERMOSTAT

CAUTION: The thermostat should not be considered as an infallible system where maintaining a temperature is considered critical. Examples: Hazardous material storage, computer room, etc. In these particular cases, it is imperative to add a monitoring system to avoid the consequences of a failure of the thermostat.

- Adjustment range without degree indication.

LUBRICATION OF MOTOR

Sealed lubrication-free bearings. Also, dustproof motor housing.

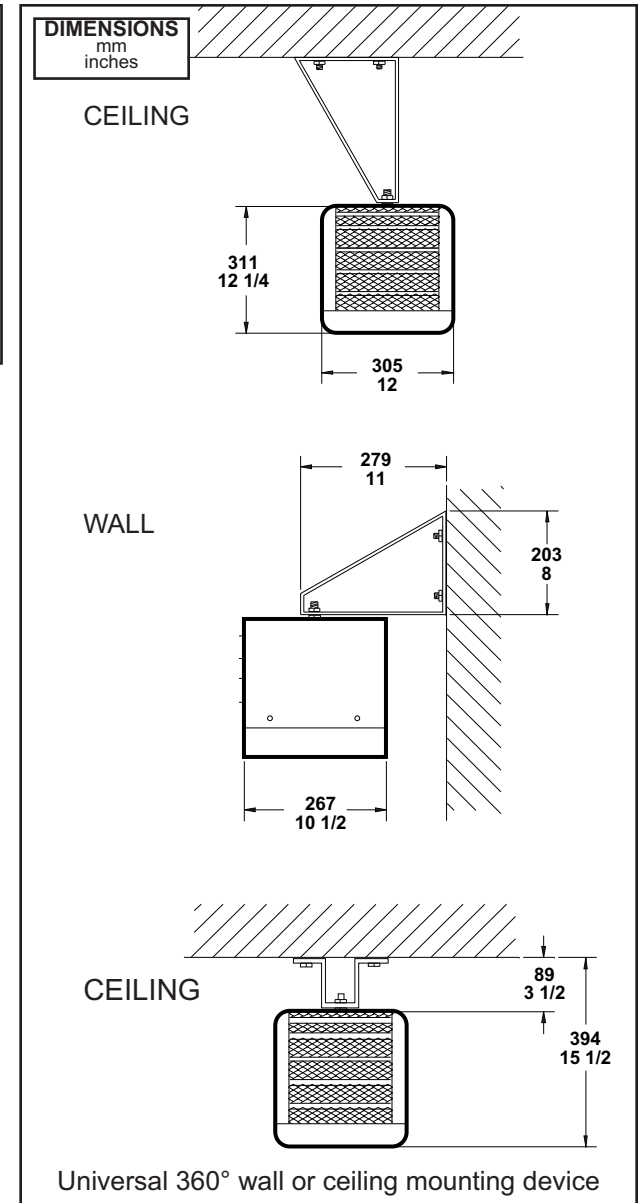
ATTENTION

Basic precautions should always be taken to reduce the risk of fire, electric shock, and injury.

- Read all instructions before using this heater.
- Do not install less than 6 ft. (1.8 m) from the floor in the **United States only.**
- This heater is hot when in use. To avoid burns, do not let bare skin touch hot surfaces. Keep combustible materials, like furniture, pillows, bedding, papers, clothes, and curtains at least 3 ft. (0.9 m) from the front of the heater and away from the side and rear.
- Do not use outdoors.
- Do not insert or allow foreign objects to enter any ventilation or exhaust opening as this may cause an electric shock or fire, or damage the heater.
- Do not block air intakes or exhaust in any way whatsoever.
- A heater has hot and arcing or sparking parts inside. Do not use it in areas where gasoline, paint, or flammable liquids are used or stored.
- Use this heater only as described in this manual. Any other use not recommended by the manufacturer may cause fire, electric shock, or injury.

MAINTENANCE

- Once a year, remove the dust accumulation inside the heater using a vacuum cleaner or compressed air.
- Cleaning should be done while the heater is disconnected from the main service panel.
- A qualified technician should perform any other servicing.



WARRANTY

The manufacturer warrants the component parts of its products against defects in material and workmanship for a one year period following the date of purchase, under normal use and service, when proof of purchase of such is provided to the manufacturer. The obligation of the manufacturer, under the terms of this warranty, will be to supply a new unit and this releases the manufacturer from paying the installation costs or other secondary charges linked to replacing the unit or the component part(s).