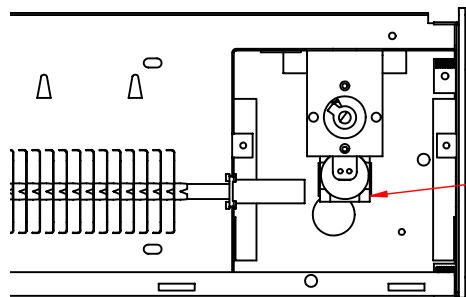
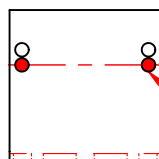
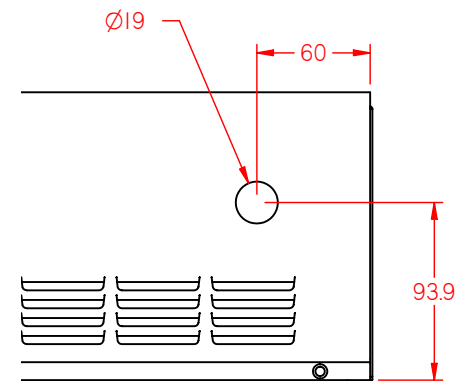




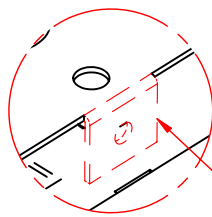
BII/BISI THERMOSTAT WITH CONTROL KNOB



THERMOSTAT OREINTATION



USE THESE 2 HOLES



DETAIL B

REMOVE THIS PART ON THE JUNCTION BOX

