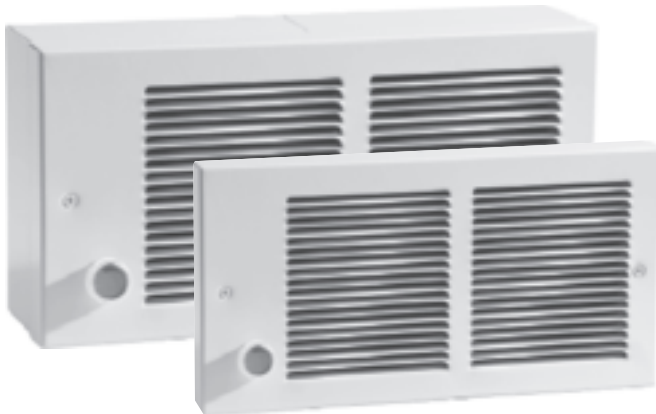


Register Wall Heater



(Shown with optional built-in thermostat)

Applications

- Hallways
- Restrooms
- Stairwells

The WRI register wall heater is ideal for use as a primary heat source in small areas or as supplemental heat in more spacious areas. Multiple heaters can be used to effectively heat large or odd-shaped rooms.

- **Installation Options:** Units are designed for recessed mounting into shallow 2-inch by 3-inch stud walls or surface mounting with the use of an optional box.
- **Safety:** Finned tubular elements provide electrical isolation from accidental contact.
- **Temperature Control:** An optional thermostat can be field installed in the heater or a remote thermostat can be used.

Standard Construction Features

Heating Elements – Steel finned tubular elements.

Outlet Grille – The louvered front grille is made from 20-gauge steel. The grille is finished with polyester powder paint in white or almond.

Built-in Controls – Automatic reset thermal cutout.

Fan Motor – Quiet, factory lubricated fan operates at 38 dBA at 40 CFM for models up to 1,000 W and

41.3 dBA at 80 CFM for all models rated above 1,000 W.

Installation Requirements – The air outlet should be installed a minimum of ten inches above vinyl floors.

Rough In Dimensions – All heaters: 14-1/8" wide x 7-3/16" high x 3" deep.

Factory Built-in Options

Code	Description
D3	Disconnect Switch, 277V, Double-pole, 20 Amp
T1	Tamperproof Thermostat, Single-pole, 17 Amp
T2	Tamperproof Thermostat, Double-pole, 17 Amp
T5	Adjustable Thermostat, Single-pole, 17 Amp
T6	Adjustable Thermostat, Double-pole, 17 Amp

Double-pole thermostats include positive off feature.

Field-Installed Options

(shipped loose for field installation into heater)

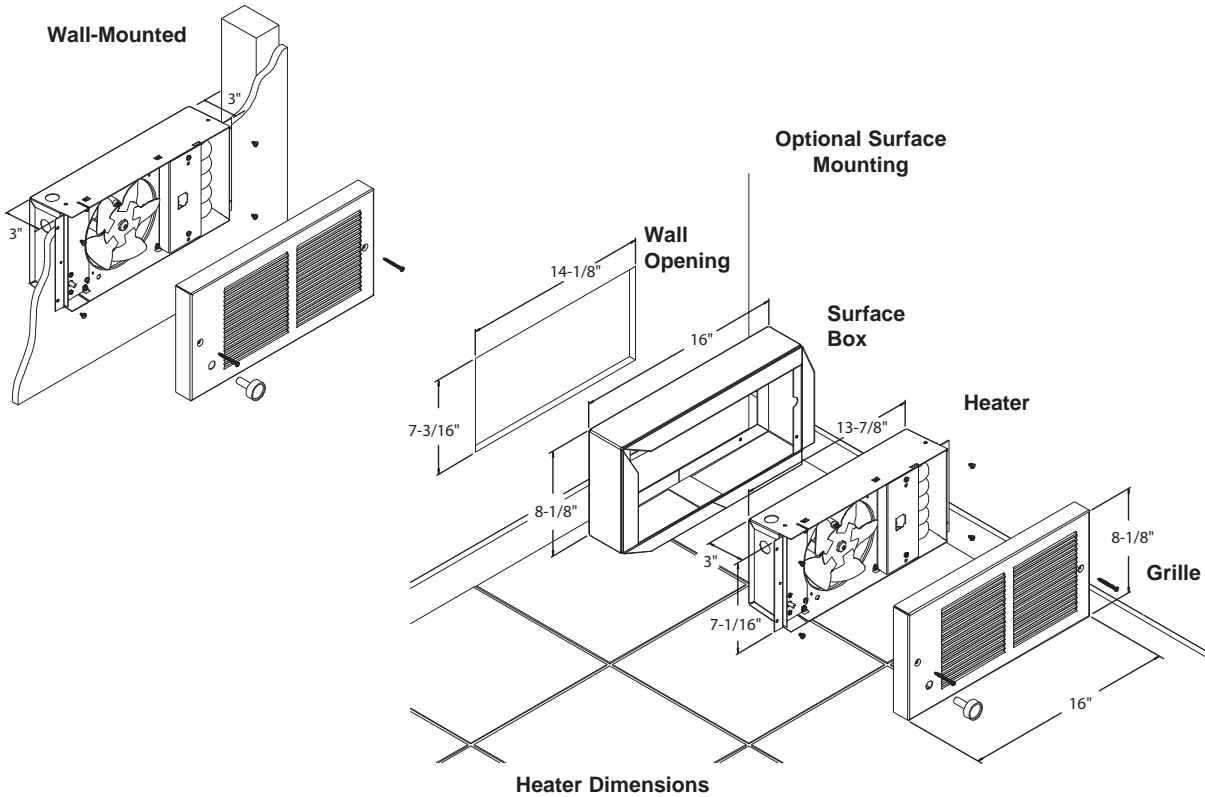
Catalog Number	Description
930-166766	Surface Mounting Box
930-166767	Adjustable Thermostat Kit, Single-pole, 17 Amp
930-166768	Tamperproof Thermostat Kit, Single-pole, 17 Amp
930-166769	Adjustable Thermostat Kit, Double-pole, 17 Amp
930-166770	Tamperproof Thermostat Kit, Double-pole, 17 Amp

Standard colors - Add **W** for white finish or **A** for almond finish to the end of catalog number.

Special or custom colors - See inside back cover for color codes to be added to end of catalog number.

Remote Room Thermostat – See page 99

Register Wall Heater



Heater Listing

Watts	Volts (1 Phase)	Total Amps (1)	CFM	Approximate Air Temperature Rise °F (°C)	Weight lb (kg)	Catalog Number
500	120	4.6	40	40 (22)	9 (4)	930U00500B
500/375	240/208	2.3/2.0	40	40/30 (22/17)	9 (4)	930U00500V
750	120	6.7	40	60 (33)	9 (4)	930U00750B
750/563	240/208	3.3/2.9	40	60/45 (33/25)	9 (4)	930U00750V
1000	120	8.7	40	80 (44)	9 (4)	930U01000B
1000/750	240/208	4.5/3.8	40	80/60 (44/33)	9 (4)	930U01000V
1250	120	10.8	80	50 (28)	9 (4)	930U01250B
1250/938	240/208	5.4/4.7	80	50/37 (28/21)	9 (4)	930U01250V
1500	120	12.9	80	60 (33)	9 (4)	930U01500B
1500/1125	240/208	6.5/5.6	80	60/45 (33/25)	9 (4)	930U01500V
2000	208	9.8	80	80 (44)	9 (4)	930U02000C
2000/1500	240/208	8.5/7.4	80	80/60 (44/33)	9 (4)	930U02000V

(1) Total Amps = Heating element amps and motor amps.

Standard colors - Add W for white finish or A for almond finish to the end of catalog number.

Special or custom colors - See inside back cover for color codes to be added to end of catalog number.