

High Watt Density Draft Barrier



Applications

- Commercial Buildings
- Entryways
- Hallways
- Hospitals
- Shopping Centers

The BHI high watt density draft barrier heaters are designed to fit under large windows to prevent cold down drafts. The heater provides total or supplemental heating for a variety of applications.

- **Installation Options:** Units may be wall mounted or installed on the floor using pedestal kits. Custom lengths, blank sections and inside or outside corners are available for wall-to-wall installations. Units can be ordered with smooth painted finish when the back of the heater is visible.
- **Choice of Colors:** Heaters can be matched to any décor. White or almond is standard and a wide range of optional colors and custom finishes, including anodized aluminum, are also available.

Standard Construction Features

Heating Elements – Two stainless steel elements with aluminum fins float on high temperature nylon bushings for quiet operation.

Housing – Cabinet is constructed of 18-gauge steel with a 14-gauge aluminum front and top covers. The unit has a polyester powder paint finish in white or almond. End caps are provided on all units.

Inlet/Outlet Grilles – The fresh air inlet is located on the bottom of the unit. The top outlet grille has openings less than 0.25 inches to discourage tampering with the heating element (pencil-proof).

Built-in Controls – Linear limit, automatic reset thermal cutout.

Electrical Connection – Each heater has a junction box located at the right end and a built-in full length wireway. Separate low voltage wireway is available.

Installation Requirements – Minimum installation height above the floor is three inches. Field or factory-installed low voltage relay and thermostat kits fit into the right-hand junction box only.

High Watt Density Draft Barrier Heater

DRAFT BARRIERS

Factory Built-in Options

Code	Description
D1	Disconnect Switch, Three-pole, 600V, 40 Amp
D3	Disconnect Switch, Double-pole, 277V, 20 Amp
F1	24V Wireway
L	Custom Length
M1	High Altitude Automatic Cutout
R1	24V Relay, 240V, 22 Amp; 277V, 19 Amp; 600V, 10 Amp
R2	24V Relay with Transformer, 240V, 22 Amp; 277V, 19 Amp
R6	Pneumatic Relay, 480V, 20 Amp
R7	Triac Proportional Relay 277V Max., 2500W Max.
S	Smooth painted finish on heater back
T1	Tamperproof Thermostat, Single-pole, 240V, 25 Amp; 600V, 10 Amp
T2	Tamperproof Thermostat, Double-pole, 240V, 25 Amp; 600V, 10 Amp

Field-Installed Options

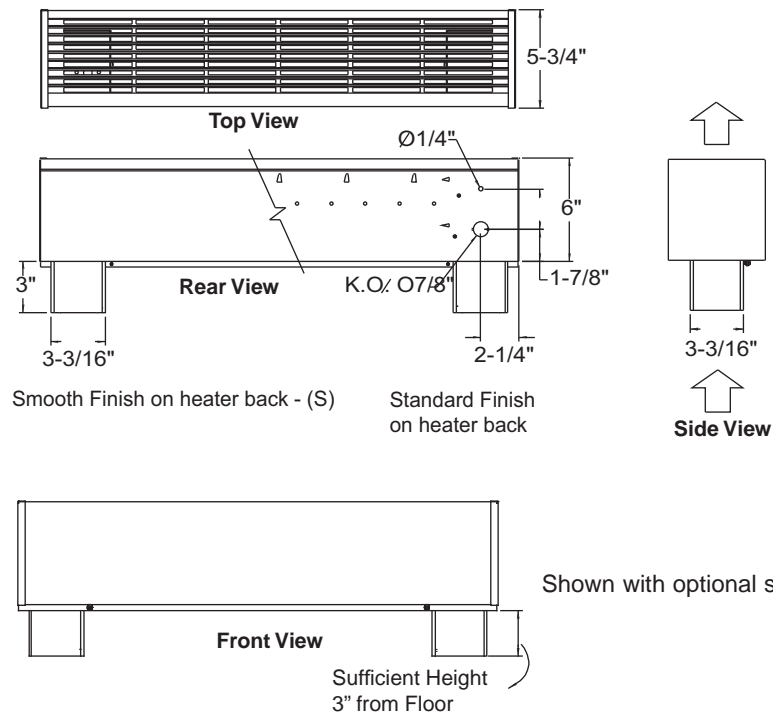
(shipped loose for field installation into heater)

Catalog Number	Description
916-166753	Inside Corner
916-166754	Outside Corner
916-166756	Square Pedestal Kit, 3", Qty 2
916-166757	Splice Plate 2" Long
916-166758	Contoured Splice Plate for Code S (smooth painted finish on heater back) and/or Heater with Pedestals
916-166759	24V Relay Kit, 240V, 22 Amp; 277V, 19 Amp
916-166760	24V Relay Kit with Transformer, 208V, 22 Amp
916-166761	24V Relay Kit with Transformer, 240V, 22 Amp
916-166762	24V Relay Kit with Transformer, 277V 19 Amp
916B-XXX	Blank Section (specify length in inches-XXX)

Standard colors - Add W for white finish or A for almond finish to the end of part number.

Special or custom colors - See inside back cover for color codes to be added to end of part number.

Remote Room Thermostat – See page 99



High Watt Density Draft Barrier

BHI Model: 916U

How to Order: Model + Heater Code with color code + Options
(example 916U00875CW-1500-T1)

Length In. (mm)	Density		Watts	Heater Code						Watts at 240/208V	Heater Code		Weight Lbs (kg)
	W/Ft	W/m		208V (1 Ph)	Amps	277V (1 Ph)	Amps	480V (1 Ph)	Amps		240/208V (1 Ph)	Amps	
23.6 (600)	175	575	375	00375C‡-600	1.8	00375N‡-600	1.4	—	—	375/281	00375V‡-600	1.6/1.4	10.7 (4.8)
	250	820	500	00500C‡-600	2.4	00500N‡-600	1.8	—	—	500/375	00500V‡-600	2.1/1.8	
	355	1165	750	00750C‡	3.6	00750N‡	2.7	—	—	750/563	00500V‡	3.1/2.7	
	500	1640	1000	01000C‡-600	4.8	01000N‡-600	3.6	01000T‡-600	2.1	1000/750	01000V‡-600	4.2/3.6	
35.4 (900)	175	575	500	00500C‡-900	2.4	00500N‡-900	1.8	00500T‡-900	1.0	500/375	00500V‡-900	2.1/1.8	14.1 (6.4)
	250	820	750	00750C‡-900	3.6	00750N‡-900	2.7	00750T‡-900	1.6	750/563	00750V‡-900	3.1/2.7	
	355	1165	1000	01000C‡	4.8	01000N‡	3.6	01000T‡	2.1	1000/751	01000V‡	4.2/3.6	
	500	1640	1500	01500C‡-900	7.2	01500N‡-900	5.4	01500T‡-900	3.1	1500/1125	01500V‡-900	6.3/5.4	
47.3 (1200)	175	575	700	00700C‡-1200	3.4	00700N‡-1200	2.5	00700T‡-1200	1.5	700/525	00700V‡-1200	2.9/2.5	17.6 (8.0)
	250	820	1000	01000C‡-1200	4.8	01000N‡-1200	3.6	01000T‡-1200	2.1	1000/750	01000V‡-1200	4.2/3.6	
	355	1165	1400	01400C‡	6.7	01400N‡	5.1	01400T‡	2.9	1400/1052	01400V‡	5.8/5.1	
	500	1640	2000	02000C‡-1200	9.6	02000N‡-1200	7.2	02000T‡-1200	4.2	2000/1500	02000V‡-1200	8.3/7.2	
59.1 (1500)	175	575	875	00875C‡-1500	4.2	00875N‡-1500	3.2	00875T‡-1500	1.8	875/656	00875V‡-1500	3.6/3.2	21.1 (9.6)
	250	820	1250	01250C‡-1500	6.0	01250N‡-1500	4.5	01250T‡-1500	2.6	1250/938	01250V‡-1500	5.2/4.5	
	355	1165	1750	01750C‡	8.4	01750N‡	6.3	01750T‡	3.6	1750/1314	01750V‡	7.3/6.3	
	500	1640	2500	02500C‡-1500	12	02500N‡-1500	9.0	02500T‡-1500	5.2	2500/1875	02500V‡-1500	10.4/9.0	
70.9 (1800)	175	575	1050	01050C‡-1800	5.0	01050N‡-1800	3.8	01050T‡-1800	2.2	1050/788	01050V‡-1800	4.4/3.8	24.6 (11.1)
	250	820	1500	01500C‡-1800	7.2	01500N‡-1800	5.4	01500T‡-1800	3.1	1500/1125	01500V‡-1800	6.3/5.4	
	355	1165	2100	02100C‡	10.1	02100N‡	7.6	02100T‡	4.4	2100/1577	02100V‡	8.8/7.6	
	500	1640	3000	03000C‡-1800	14.4	03000N‡-1800	10.8	03000T‡-1800	6.3	3000/2250	03000V‡-1800	12.5/10.8	
82.7 (2100)	175	575	1225	01225C‡-2100	5.9	01225N‡-2100	4.4	01225T‡-2100	2.6	1225/919	01225V‡-2100	5.1/4.4	28.0 (12.7)
	250	820	1750	01750C‡-2100	8.4	01750N‡-2100	6.3	01750T‡-2100	3.6	1750/1313	01750V‡-2100	7.3/6.3	
	355	1165	2450	02450C‡	11.8	02450N‡	8.8	02450T‡	5.1	2450/1840	02450V‡	10.2/8.8	
	500	1640	3500	03500C‡-2100	16.8	03500N‡-2100	12.6	03500T‡-2100	7.3	3500/2625	03500V‡-2100	14.6/12.6	
94.5 (2400)	175	575	1400	01400C‡-2400	6.7	01400N‡-2400	5.1	01400T‡-2400	2.9	1400/1050	01400V‡-2400	5.8/5.0	31.5 (14.3)
	250	820	2000	02000C‡-2400	9.6	02000N‡-2400	7.2	02000T‡-2400	4.2	2000/1500	02000V‡-2400	8.3/7.2	
	355	1165	2800	02800C‡	13.5	02800N‡	10.1	02800T‡	5.8	2800/2103	02800V‡	11.7/10.1	
	500	1640	4000	04000C‡-2400	19.2	04000N‡-2400	14.4	04000T‡-2400	8.3	4000/3000	04000V‡-2400	16.7/14.4	

Other voltages available, consult factory.

‡Standard colors - Add W for white finish or A for almond finish to the end of catalog number when ‡ is indicated.

Special or custom colors - See inside back cover for color codes to be added to end of catalog number where ‡ is indicated.