

Architectural Convector Architectural Sloped Top Convector



BAI



BASI

The BAI/BASI architectural convectors are designed to heat large commercial spaces without the fan noise associated with unit heaters.

- **Installation Options:** Units may be mounted to the wall, flush on the floor or on pedestals. Custom lengths, blank sections, sub-bases and inside or outside corners are available for wall-to-wall installations. Units and accessories can be ordered with smooth painted finish when the back of the heater is visible.
- **Added Safety:** The sloped-top cabinet on the BASI prevents objects from being set on top of the heater, which can restrict airflow and cause overheating.
- **Recessed Mounting:** The BAI heater can be fully recessed when the front warm air outlet option is used.
- **Choice of Colors:** Heaters can be matched to any décor. White or almond is standard and a wide range of optional colors and custom finishes are also available.

Applications

- Banks
- Classrooms
- Conference Rooms
- Halls
- Offices

Standard Construction Features

Heating Elements – Stainless steel elements with aluminum fins float on high temperature nylon bushings for quiet operation.

Housing – Cabinet is constructed of 20-gauge steel with a 16-gauge steel front cover. The unit has a polyester powder paint finish in white or almond.

Inlet/Outlet Grilles – The fresh air inlet grille is located on the front of the unit. An extruded aluminum outlet grille discourages tampering with the heating element.

Built-in Controls – Linear limit, automatic reset thermal cutout.

Installation Requirements – Field or factory-installed low voltage relay and thermostat kits.

Rough In Dimensions – BAI only: Heater Length + 1" wide x 15" high x 6" deep.

Architectural Convactor Architectural Sloped Top Convactor

Factory Built-in Options

Code	Description
D1	Disconnect Switch, Three-pole, 600V, 40 Amp
F	Front Air outlet (BAI Only)
R1	24V Relay, Single-pole, 240V, 22 Amp; 277V, 19 Amp
R2	24V Relay with Transformer, 240V, 22 Amp; 277V, 19 Amp
R3	24V Double-pole Relay, 240V, 25 Amp; 277V, 19 Amp
R4	240V Relay, Single-pole, 240V, 25 Amp
R5	240V Relay, Double-pole, 240V, 25 Amp
R6	Pneumatic Relay, 480V, 20 Amp
R7	Triac Proportional Relay, 277V Max., 2500W Max.
S	Smooth painted finish on heater back
T1	Tamperproof Thermostat, Single-pole, 240V, 30 Amp; 480V, 15 Amp
T2	Tamperproof Thermostat, Double-pole, 480V, 15 Amp
X1	240V Transformer - 50 VA
X2	24V Transformer - 50 VA

Field-Installed Options

(shipped loose for field installation into heater)

Catalog Number	Description	
909-124609	BAI Corner (interior and exterior)	
908-124609	BASI inside corner	
908-218356	BASI outside corner	
909-124610	Square Pedestal Kit	3-4" High
909-124611	Sub Base Heater Length In. (mm)	27.2 (690)
909-124612		37.2 (944)
909-124613		47.2 (1198)
909-124614		57.2 (1452)
909-124615		65.2 (1655)
909-124616		75.2 (1909)
909-124617		83.2 (2112)
909-218276(1)	Empty Cabinet Length In. (mm)	27.2 (690)
909-218277(1)		37.2 (944)
909-218278(1)		47.2 (1198)
909-218279(1)		57.2 (1452)
909-218280(1)		65.2 (1655)
909-218281(1)		75.2 (1909)
909-218282(1)		83.2 (2112)
909-124608	Recessed Trim Kit Heater Length In. (mm)	27.2 (690)
909-124619		37.2 (944)
909-124620		47.2 (1198)
909-124621		57.2 (1452)
909-124622		65.2 (1655)
909-124623		75.2 (1909)
909-124624		83.2 (2112)
909-124625(1)	Filler Section Length In. (mm)	12 (305)
909-124626(1)		24 (610)
909-124627(1)		36 (914)
909-124628(1)	Control Box - 12"	12 (306)
909-124629	24V Relay Kit, Single-pole, 240V, 22 Amp; 277V, 19 Amp	
909-124630	24V Relay Kit, Double-pole, 240V, 25 Amp	
909-124631	240V Relay Kit, Single-pole, 240V, 22 Amp	
909-124632	240V Relay Kit, Double-pole, 240V, 25 Amp	
909-124633	24V Relay Kit with Transformer, 208V, 22 Amp	
909-124634	24V Relay Kit with Transformer, 240V, 22 Amp	
909-124635	24V Relay Kit with Transformer, 277V, 19 Amp	
909-124636	Transformer Kit-208/24V - 50 VA	
909-124637	Transformer Kit-240/24V - 50 VA	
909-124638	Transformer Kit-277/24V - 50 VA	

Remote Room Thermostat – See page 99

(1) Change 909 prefix to 908 for BASI.

Standard colors - Add W for white finish or A for almond finish to the end of part number.

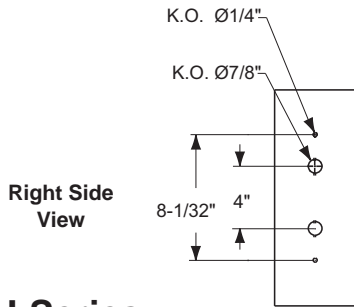
Special or custom colors - See inside back cover for color codes to be added to end of part number.

Filler sections can be cut to length in the field.

BAI/BASI SERIES

Architectural Convactor Architectural Sloped Top Convactor

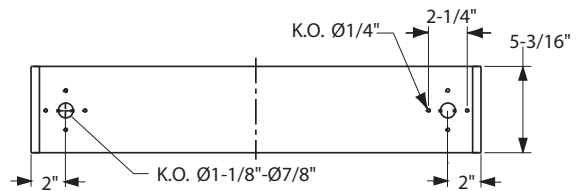
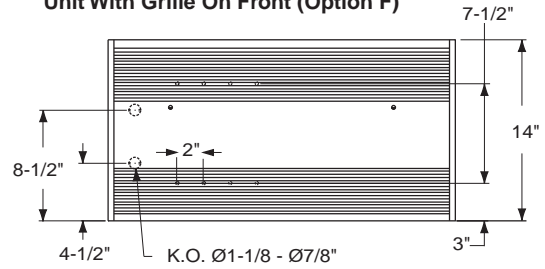
Unit With Grille On Top
Not recessed



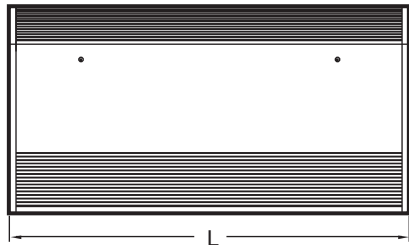
BAI Series

Unit With Grille On Front (Option F)

Front View

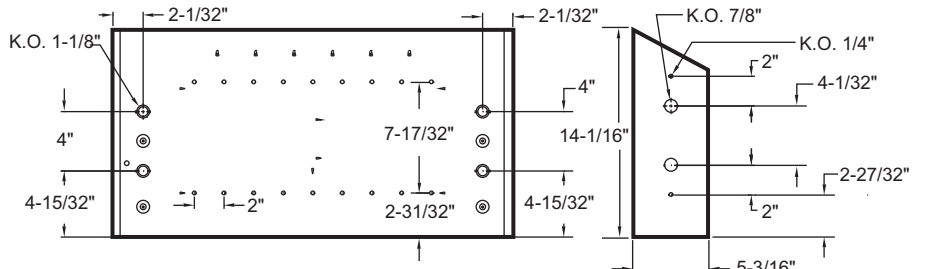


Bottom View



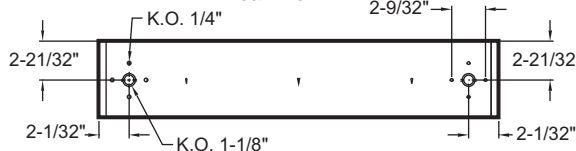
Front View

BASI Series



Rear View

Left Side View



Bottom View

Architectural Convactor Architectural Sloped Top Covector

BAI Model: 909U (Flat Top)

BASI Model: 908U (Sloped Top)

How to order: Model + Heater Code with color code + Options

(example 909U02000NW-1655-T1)

Length In. (mm)	Density		Watts	Heater Code				Watts at 240/208V	Heater Code		Weight Lbs (kg)	
	W/Ft	W/m		208V (1 Ph)	Amps	277V (1 Ph)	Amps		240/208V (1 Ph)	Amps	BAI (Flat)	BASI (Sloped)
27.2 (690)	375	1250	800	00800C‡-690	3.8	00800N‡-690	2.9	800/600	00800V‡-690	3.3/2.9	30 (13.6)	32.0 (14.5)
	500	1640	1000	01000C‡	4.8	01000N‡	3.6	1000/750	01000V‡	4.2/3.6		
37.2 (944)	375	1250	1000	01000C‡-944	4.8	01000N‡-944	3.6	1000/750	01000V‡-944	4.2/3.6	46 (20.9)	46 (20.9)
	500	1640	1500	01500C‡	7.2	01500N‡	5.4	1500/1125	01500V‡	6.3/5.4		
47.2 (1198)	375	1250	1500	01500C‡-1198	7.2	01500N‡-1198	5.4	1500/1125	01500V‡-1198	6.3/5.4	57 (25.9)	57 (25.9)
	500	1640	2000	02000C‡	9.6	02000N‡	7.2	2000/1500	02000V‡	8.3/7.2		
57.2 (1452)	375	1250	1750	01750C‡-1452	8.4	01750N‡-1452	6.3	1750/1313	01750V‡-1452	7.3/6.3	66 (29.9)	66 (30)
	500	1640	2500	02500C‡	12.0	02500N‡	9.0	2500/1875	02500V‡	10.4/9.0		
65.2 (1655)	375	1250	2000	02000C‡-1655	9.6	02000N‡-1655	7.2	2000/1500	02000V‡-1655	8.3/7.2	75 (34.0)	75 (34.1)
	500	1640	3000	03000C‡	14.4	03000N‡	10.8	3000/2250	03000V‡	12.5/10.8		
75.2 (1909)	375	1250	2500	02500C‡-1909	12.0	02500N‡-1909	9.0	2500/1875	02500V‡-1909	10.4/9.0	80 (36.3)	80 (36.3)
	500	1640	3500	03500C‡(1)	16.8	03500N‡	12.6	3500/2625	03500V‡	14.6/12.6		
83.2 (2112)	375	1250	2750	02750C‡-2112	13.2	02750N‡-2112	9.9	2750/2066	02750V‡-2112	11.5/9.9	89 (40.4)	89 (40.5)
	500	1640	4000	04000C‡(1)	19.2	04000N‡	14.4	4000/3000	04000V‡	16.7/14.4		

Other single-phase voltages available, consult factory.

‡Standard colors - Add W for white finish or A for almond finish to the end of catalog number when ‡ is indicated.

Special or custom colors - See inside back cover for color codes to be added to end of catalog number where ‡ is indicated.

(1) If control option R7 is required for these heaters, (Qty 2) R7 Triac proportional relays are required.