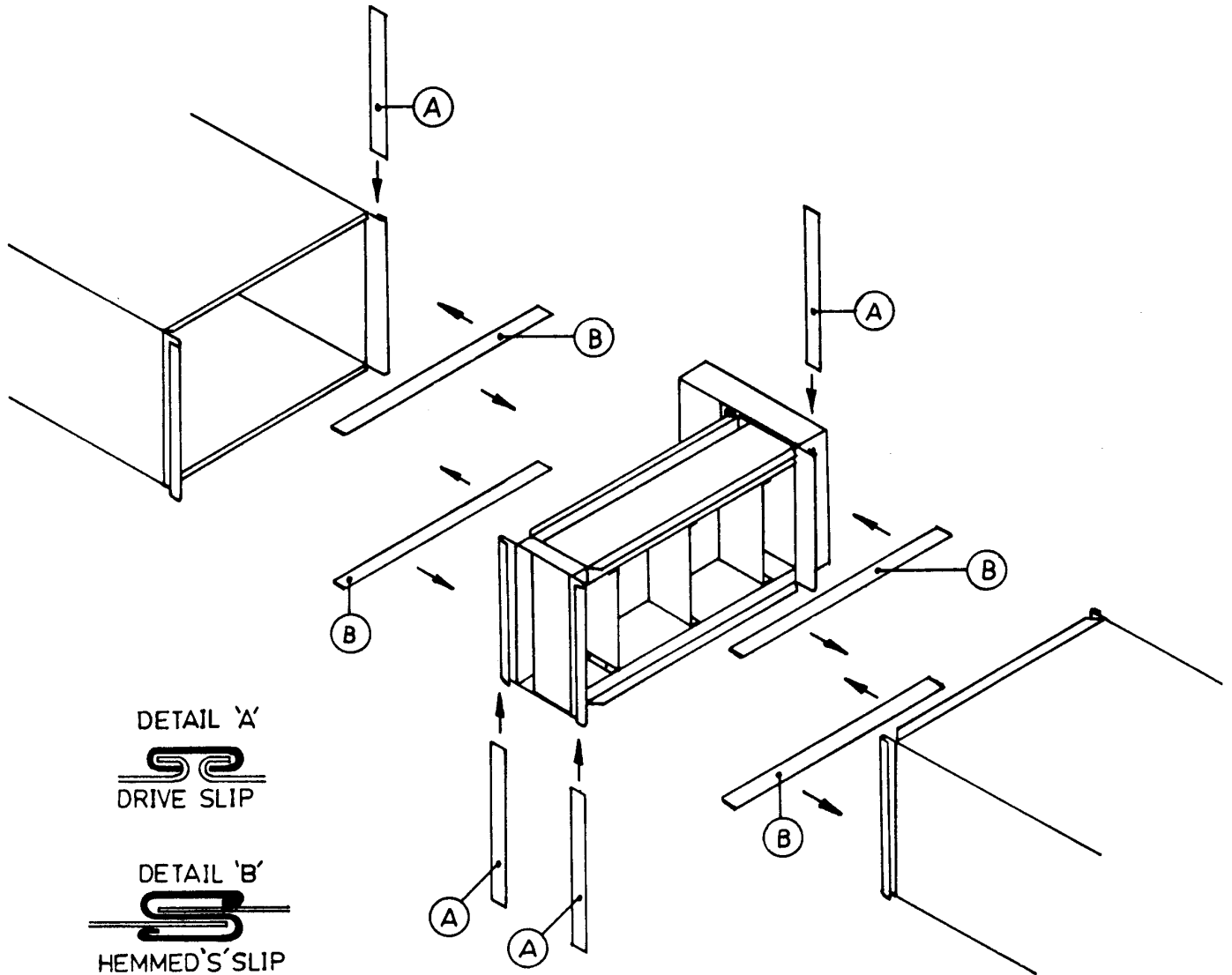




INDUSTRIAL ENGINEERING & EQUIPMENT

Supplemental Instruction Sheet Slip-and-Drive Construction (MANUFACTURED UNDER PATENT NO. 4603247)



THIS HEATER HAS BEEN CONSTRUCTED FOR ATTACHMENT DIRECTLY TO THE DUCT WORK USING SLIP-AND-DRIVE CLIPS, AS SHOWN IN THE ABOVE DRAWING.

SUPPORTING DUCT WORK, SLIP AND DRIVE CLIPS AND MOUNTING SHALL BE DONE IN ACCORDANCE WITH SMACNA LOW PRESSURE DUCT DESIGN MANUAL.

ALL OTHER REQUIREMENTS OUTLINED IN INDEECO FORM 10-1081-83 SHALL ALSO APPLY.

INDEECO
425 Hanley Industrial Court
St. Louis, MO 63144
Phone: (314) 644-4300 Fax: (314) 644-5332
www.indeeco.com