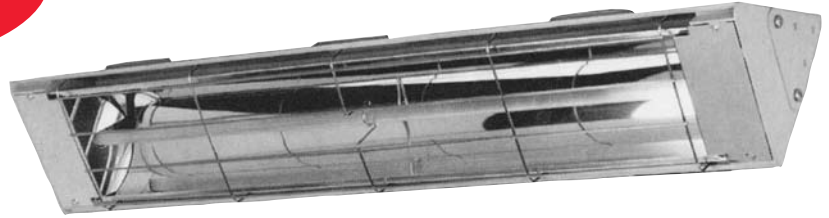




your source for electric heating and controls  
www.indeeco.com



## Applications

INDEECO Quartzzone Infrared Electric Heaters provide the practical answer for maintaining comfort in virtually any exposed area, even outdoors, where people are required to work. Infrared heat is radiant heat, transferring directly from a warmer body to a cooler body. Just as with light, infrared radiation is transmitted by electromagnetic waves, independent of either direct contact or air. Also like light, infrared heat can be directed and focused to pinpoint heat on an object. It is this characteristic that makes INDEECO Quartzzone Infrared Electric Comfort Heaters uniquely capable of doing a heating job where no other system is feasible.

## Standard Features

- UL Listed
- Powder Coated, Heavy Gauge Vented Metal Fixture
- Ceiling Chain Mount - Parallel or 45°
- Versatile Wireway for Mounting Simplicity

## Optional Features

- Mounting Bracket for Ceiling or Wall Mounting
- Many Wattages and Voltages
- Quartz or Metal Elements
- Single or Dual Element Style

## Benefits

- Quick Heat Up Time
- Heat Objects Not Air
- Zone heating Reduces Power Consumption and Cost

## Quartzzone Heater Fixtures

Maximum Watts	Fixture Length	Shipping Wt. Lbs.	Catalog Number
2000	36"	11	F1154
4000	61"	15	F1154A

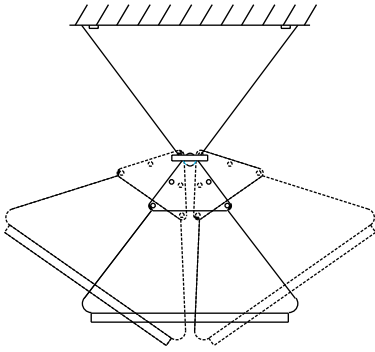
## Quartzzone Heater Elements

Fixture No.	Watts	Volts	Amps	Length (In)	Shipping Wt. Lbs.	Catalog Number	
						Quartz Sheath	Metal Sheath
1154	1000	120	8.3	36	2	QT-10L	QM-10L
	1000	240	4.2	36	2	QT-10N	QM-10N
	1000	208	4.8	36	2	QT-10V	QM-10V
	1000	277	3.6	36	2	QT-10Y	QM-10Y
	1500	120	12.6	36	2	QT-15L	QM-15L
	1500	240	6.3	36	2	QT-15N	QM-15N
	1500	208	7.2	36	2	QT-15V	QM-15V
	1500	277	5.4	36	2	QT-15Y	QM-15Y
	2000	240	8.3	36	2	QT-20N	QM-20N
	2000	208	9.6	36	2	QT-20V	QM-20V
	2000	277	7.2	36	2	QT-20Y	QM-20Y
1154A	2000	480	4.1	36	2	QT-20Z	QM-20Z
	3000	240	12.6	61	4	QT-30N	QM-30N
	3000	208	14.4	61	4	QT-30V	QM-30V
	3000	277	10.8	61	4	QT-30Y	QM-30Y
	3000	480	6.3	61	4	QT-30Z	QM-30Z
	4000	240	16.6	61	4	QT-40N	QM-40N
	4000	208	19.2	61	4	QT-40V	QM-40V
	4000	277	14.4	61	4	QT-40Y	QM-40Y
	4000	480	8.3	61	4	QT-40Z	QM-40Z

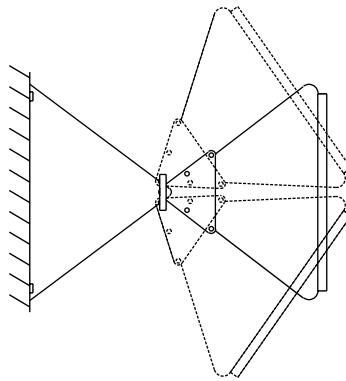
## Typical Applications

- Factories
- Airport Boarding Areas
- Bus Stations
- Sidewalks
- Gymnasiums
- Grandstands
- Swimming Pools
- Live Stock Buildings
- Ice Arenas
- Loading Docks
- Entrance Ways
- Construction Sites
- Pole Buildings
- Garages
- Waiting Areas
- Restrooms
- Outdoor Cafes
- Ski Resorts

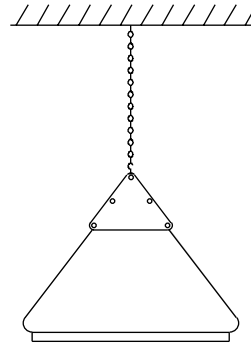
## Mounting Options



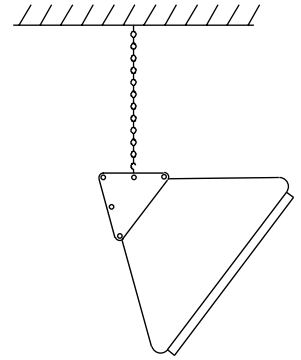
Ceiling Mounting Bracket



Wall Mounting Bracket



Horizontal Ceiling Mount



45° Ceiling Mount

## Infrared Heater Case History

When the temperature dips below zero in Lewiston, Idaho, people like Larry Galloway are grateful for a little extra warmth.

Galloway, an on-site electrician for Clearwater Wood Products, a division of Potlatch, said that INDEECO 1154 "Quartzone" infrared electric heaters are a cost-effective way to heat employees in the company's open outside-like environment.

Galloway said that Potlatch generally begins using heaters from the end of September through march. The heaters are used in a very open environment, just one step above being in the unprotected outdoors.

They are the only source of heat on the production floor, with between 150 and 200 heaters in use. The open environment is necessary for the large wood products being worked with a lot of the air-cooled machinery.

Each employee has a heater hung over their work station. Galloway said they mount the heater any way imaginable from the high overhead ceilings, but most are hung from chains. Ceiling height can run anywhere from 40 to 50 ft.

"Potlatch has figured it takes about an hour and a half to take an old fixture down, mount a new one and wire it," he said.

He added that replacement of the heaters was very "infrequent."

Potlatch employees also seem to appreciate the unit's heater guard, which protects the heater's glass elements, especially when employees are moving and swinging large boards around. The guard eliminates a lot of accidental breakage.

To sum it up, Potlatch is happy with its radiant heaters because they allow the sawmill and planing mill to operate year round, while provided comfortable working conditions for employees.

INDUSTRIAL ENGINEERING & EQUIPMENT CO.  
425 HANLEY INDUSTRIAL COURT  
ST. LOUIS, MO 63144  
314-644-4300 Fax: 314-644-5332



FOR YOUR NEAREST INDEECO  
REPRESENTATIVE CALL: 800-243-8162