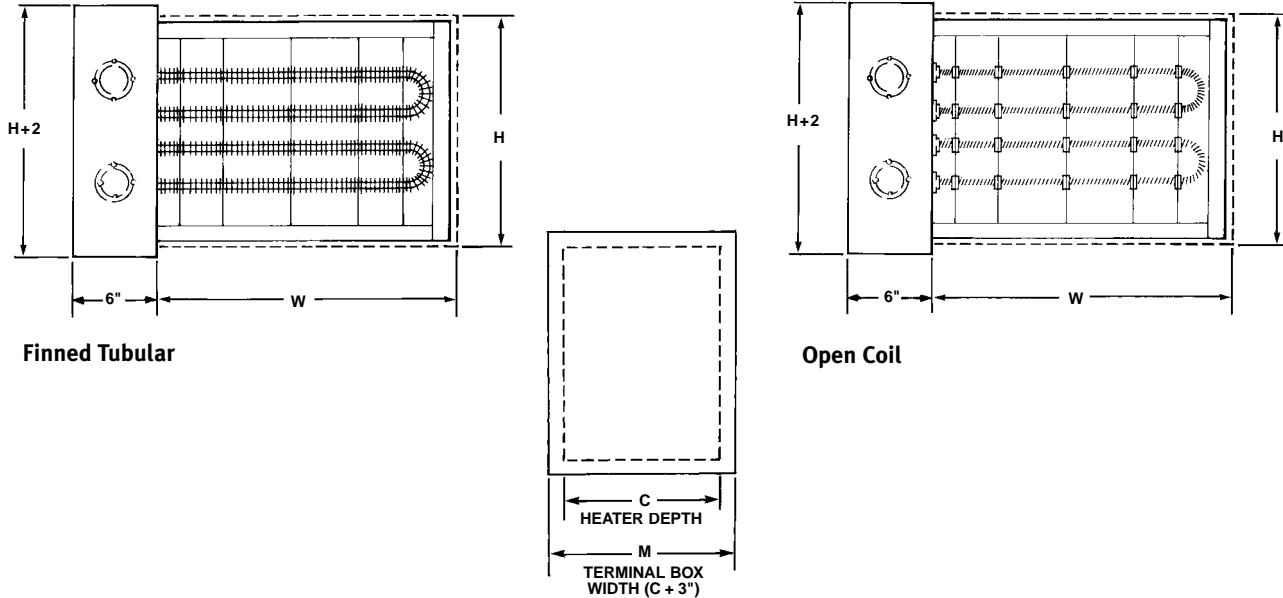


Heater Listings

250° F Maximum Outlet Air Temperature



Heater Listings - 250° F at 900 SFPM Minimum Airflow										
KW	Dimensions (Inches)			Finned Tubular Construction 65 Watts/Sq. In.				Open Coil Construction 65 Watts/Sq. In.		
	W	H	C	Catalog Number	No. Of Elements	No. Of Circuits	Weight (Lbs.)	Catalog Number	No. Of Circuits	Weight (Lbs.)
4.5	12	8	8	166N-401-201U	3	1	10	165N-501-201U	1	10
6	16	8	8	166N-402-201U	3	1	15	165N-502-201U	1	10
9	12	12	8	166N-403-201U	6	1	20	165N-503-201U	1	10
9	20	8	8	166N-404-201U	3	1	15	165N-504-201U	1	10
9	24	8	8	166N-405-201U	3	1	15	165N-505-201U	1	10
12	16	12	8	166N-406-201U	6	1	20	165N-506-201U	1	10
13	12	16	8	166N-407-201U	9	1	25	165N-507-201U	1	15
13	30	8	8	166N-408-201U	3	1	20	165N-508-201U	1	10
18	12	20	8	166N-409-201U	12	1	30	165N-509-201U	1	15
18	16	16	8	166N-410-201U	9	1	30	165N-510-201U	1	15
18	20	12	8	166N-411-201U	6	1	25	165N-511-201U	1	15
18	24	12	8	166N-412-201U	6	1	25	165N-512-201U	1	15
18	36	8	8	166N-413-201U	3	1	25	165N-513-201U	1	15
22	12	24	8	166N-414-201U	15	1	35	165N-514-201U	1	20
24	16	20	8	166N-415-201U	12	1	35	165N-515-201U	1	20
27	12	30	8	166N-416-201U	18	1	45	165N-516-201U	1	25
27	20	16	8	166N-417-201U	9	1	35	165N-517-201U	1	20

Heaters are rated at 480 volts, 3 phase.

Heater Listings

250° F Maximum Outlet Air Temperature

Heater Listings - 250° F at 900 SFPM Minimum Airflow										
KW	Dimensions (Inches)			Finned Tubular Construction 65 Watts/Sq. In.				Open Coil Construction 65 Watts/Sq. In.		
	W	H	C	Catalog Number	No. Of Elements	No. Of Circuits	Weight (Lbs.)	Catalog Number	No. Of Circuits	Weight (Lbs.)
27	24	16	8	166N-418-201U	9	1	35	165N-518-201U	1	20
27	30	12	8	166N-419-201U	6	1	35	165N-519-201U	1	15
30	16	24	8	166N-420-201U	15	1	40	165N-520-201U	1	20
31	12	34	8	166N-421-201U	21	1	50	165N-521-201U	1	25
36	12	38	8	166N-422-201U	24	1	55	165N-522-201U	1	30
36	16	30	8	166N-423-201U	18	1	50	165N-523-201U	1	25
36	20	20	8	166N-424-201U	12	1	40	165N-524-201U	1	20
36	24	20	8	166N-425-201U	12	1	45	165N-525-201U	1	25
36	36	12	8	166N-426-201U	6	1	40	165N-526-201U	1	20
40	12	42	8	166N-427-201U	27	2	60	165N-527-201U	2	35
40	30	16	8	166N-428-201U	9	2	45	165N-528-201U	2	25
42	16	34	8	166N-429-201U	21	2	55	165N-529-201U	2	30
45	12	24	16	166N-430-201U	30	2	65	165N-530-201U	2	25
45	20	24	8	166N-431-201U	15	2	50	166N-531-201U	2	25
45	24	24	8	166N-432-201U	15	2	50	165N-532-201U	2	30
48	16	38	8	166N-433-201U	24	2	65	165N-533-201U	2	35
50	12	30	16	166N-434-201U	33	2	70	165N-534-201U	2	35
54	12	30	16	166N-435-201U	36	2	75	165N-535-201U	2	35
54	16	42	8	166N-436-201U	27	2	70	165N-536-201U	2	40
54	20	30	8	166N-437-201U	18	2	60	165N-537-201U	2	30
54	24	30	8	166N-438-201U	18	2	60	165N-538-201U	2	35
54	30	20	8	166N-439-201U	12	2	55	165N-539-201U	2	30
54	36	16	8	166N-440-201U	9	2	55	165N-540-201U	2	25
58	12	34	16	166N-441-201U	39	2	85	165N-541-201U	2	35
60	16	24	16	166N-442-201U	30	2	75	165N-542-201U	2	30
63	12	34	16	166N-443-201U	42	2	90	165N-543-201U	2	35
63	20	34	8	166N-444-201U	21	2	70	165N-544-201U	2	35
63	24	34	8	166N-445-201U	21	2	70	165N-545-201U	2	40
66	16	30	16	166N-446-201U	33	2	80	165N-546-201U	2	40
67	12	38	16	166N-447-201U	45	2	95	165N-547-201U	2	40
67	30	24	8	166N-448-201U	15	3	65	165N-548-201U	2	35
72	12	38	16	166N-449-201U	48	2	100	165N-549-201U	2	40
72	16	30	16	166N-450-201U	36	2	90	165N-550-201U	2	40
72	20	38	8	166N-451-201U	24	2	80	165N-551-201U	2	40
72	24	38	8	166N-452-201U	24	2	80	165N-552-201U	2	45
72	36	20	8	166N-453-201U	12	2	65	165N-553-201U	2	30
76	12	42	16	166N-454-201U	51	3	65	165N-554-201U	2	45
78	16	34	16	166N-455-201U	39	3	105	165N-555-201U	2	45

Heaters are rated at 480 volts, 3 phase.

Heater Listings

250° F Maximum Outlet Air Temperature

Heater Listings - 250° F at 900 SFPM Minimum Airflow										
KW	Dimensions (Inches)			Finned Tubular Construction 65 Watts/Sq. In.				Open Coil Construction 65 Watts/Sq. In.		
	W	H	C	Catalog Number	No. Of Elements	No. Of Circuits	Weight (Lbs.)	Catalog Number	No. Of Circuits	Weight (Lbs.)
81	12	42	16	166N-456-201U	54	3	110	165N-556-201U	3	45
81	20	42	8	166N-457-201U	27	3	85	165N-557-201U	3	45
81	24	42	8	166N-458-201U	27	3	85	165N-558-201U	3	50
81	30	30	8	166N-459-201U	18	3	80	165N-559-201U	3	45
84	16	34	16	166N-460-201U	42	3	100	165N-560-201U	3	45
90	16	38	16	166N-461-201U	45	3	110	165N-561-201U	3	50
90	20	24	16	166N-462-201U	30	3	95	165N-562-201U	3	40
90	24	24	16	166N-463-201U	30	3	95	165N-563-201U	3	45
90	36	24	8	166N-464-201U	15	3	80	165N-564-201U	3	40
95	30	34	8	166N-465-201U	21	4	90	165N-565-201U	3	50
95	16	38	16	166N-466-201U	48	3	115	165N-566-201U	3	50
100	20	30	16	166N-467-201U	33	3	105	165N-567-201U	3	45
100	24	30	16	166N-468-201U	33	3	105	165N-568-201U	3	55
102	16	42	16	166N-469-201U	51	3	120	165N-569-201U	3	55
108	16	42	16	166N-470-201U	54	3	130	165N-570-201U	3	55
108	20	30	16	166N-471-201U	36	3	110	165N-571-201U	3	45
108	24	30	16	166N-472-201U	36	3	110	165N-572-201U	3	55
108	30	38	8	166N-473-201U	24	4	100	165N-573-201U	3	55
108	36	30	8	166N-474-201U	18	3	95	165N-574-201U	3	50
117	20	34	16	166N-475-201U	39	4	120	165N-575-201U	3	50
117	24	34	16	166N-476-201U	39	4	120	165N-576-201U	3	60
122	30	42	8	166N-477-201U	27	5	110	165N-577-201U	4	60
126	20	34	16	166N-478-201U	42	4	125	165N-578-201U	4	55
126	24	34	16	166N-479-201U	42	4	130	165N-579-201U	4	60
126	36	34	8	166N-480-201U	21	4	110	165N-580-201U	4	55
135	20	38	16	166N-481-201U	45	4	135	165N-581-201U	4	60
135	20	38	16	166N-482-201U	45	4	135	165N-582-201U	4	55
135	24	38	16	166N-483-201U	45	4	135	165N-583-201U	4	65
135	30	24	16	166N-484-201U	30	5	125	165N-584-201U	4	55
144	20	38	16	166N-485-201U	48	4	145	165N-585-201U	4	55
144	24	38	16	166N-486-201U	48	4	145	165N-586-201U	4	65
144	36	38	8	166N-487-201U	24	4	125	165N-587-201U	4	60
150	30	30	16	166N-488-201U	33	6	135	165N-588-201U	4	65
153	20	42	16	166N-489-201U	51	5	155	165N-589-201U	4	60
153	24	42	16	166N-490-201U	51	5	155	165N-590-201U	4	70
162	20	42	16	166N-491-201U	54	5	160	165N-591-201U	5	60
162	24	42	16	166N-492-201U	54	5	160	165N-592-201U	5	70
162	30	30	16	166N-493-201U	36	6	145	165N-593-201U	5	65
162	36	42	8	166N-494-201U	27	5	135	165N-594-201U	5	65

Heaters are rated at 480 volts, 3 phase.

Heater Listings

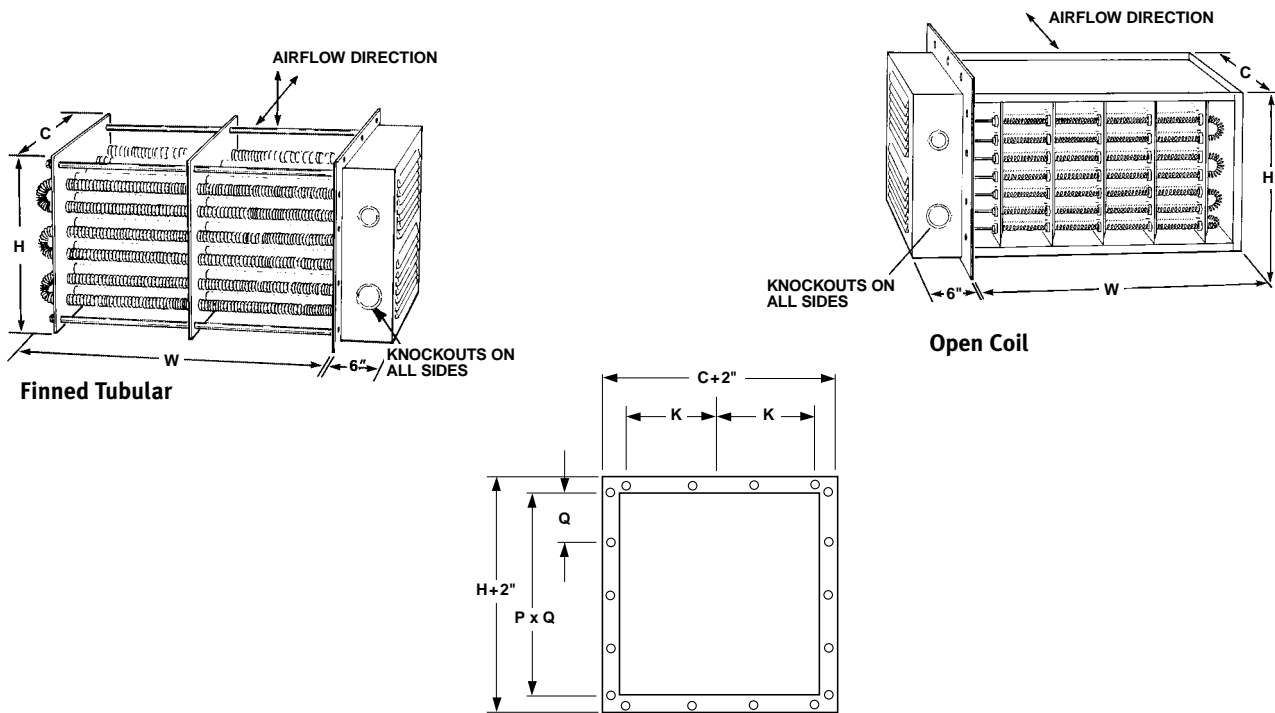
250° F Maximum Outlet Air Temperature

Heater Listings - 250° F at 900 SFPM Minimum Airflow										
KW	Dimensions (Inches)			Finned Tubular Construction 65 Watts/Sq. In.				Open Coil Construction 65 Watts/Sq. In.		
	W	H	C	Catalog Number	No. Of Elements	No. Of Circuits	Weight (Lbs.)	Catalog Number	No. Of Circuits	Weight (Lbs.)
175	30	34	16	166N-495-201U	39	7	155	165N-595-201U	5	70
180	36	24	16	166N-496-201U	30	5	150	165N-596-201U	5	60
189	30	34	16	166N-497-201U	42	7	165	165N-597-201U	5	70
198	36	30	16	166N-498-201U	33	6	165	165N-598-201U	5	75
202	30	38	16	166N-499-201U	45	8	180	165N-599-201U	6	80
216	30	38	16	166N-500-201U	48	8	190	165N-600-201U	6	80
216	36	30	16	166N-501-201U	36	6	180	165N-601-201U	6	75
230	30	42	16	166N-502-201U	51	9	200	165N-602-201U	6	85
234	36	34	16	166N-503-201U	39	7	195	165N-603-201U	6	85
243	30	42	16	166N-504-201U	54	9	210	165N-604-201U	7	85
252	36	34	16	166N-505-201U	42	7	205	165N-605-201U	7	85
270	36	38	16	166N-506-201U	45	8	220	165N-606-201U	7	90
288	36	38	16	166N-507-201U	48	8	235	165N-607-201U	8	95
306	36	42	16	166N-508-201U	51	9	245	165N-608-201U	8	100
324	36	42	16	166N-509-201U	54	9	260	165N-609-201U	9	100

Heaters are rated at 480 volts, 3 phase.

Heater Listings

400° F Maximum Outlet Air Temperature



Heater Depth C	6"	9.5"								
Mtg. Hole Centers K	2"	3.5"								
Heater Height H	8"	12"	16"	20"	24"	30"	34"	38"	42"	
No. of Spaces P	2	3	3	3	3	5	7	7	7	
Mtg. Hole Centers Q	3"	3.75"	4.25"	5.25"	5.75"	4.88"	4.38"	4.88"	5.25"	

Mounting Hole Details – Mounting hole patterns depend on heater C and H dimensions. Mounting holes are 9/32" diameter, centered 3/8" from the outside edge of the plate.

Heater Listings - 400° F at 900 SFPM Minimum Airflow										
KW	Dimensions (Inches)			Finned Tubular Construction 65 Watts/Sq. In.				Open Coil Construction 65 Watts/Sq. In.		
	W	H	C	Catalog Number	No. Of Elements	No. Of Circuits	Weight (Lbs.)	Catalog Number	No. Of Circuits	Weight (Lbs.)
4.5	12	8	6	166N-601-401U	3	1	15	165N-301-401U	1	10
6	16	8	6	166N-602-401U	3	1	15	165N-302-401U	1	10
9	12	12	6	166N-603-401U	6	1	20	165N-303-401U	1	10
9	20	8	6	166N-604-401U	3	1	15	165N-304-401U	1	15
9	24	8	6	166N-605-401U	3	1	15	165N-305-401U	1	15
12	16	12	6	166N-606-401U	6	1	25	165N-306-401U	1	15
13	12	16	6	166N-607-401U	9	1	30	165N-307-401U	1	15
13	30	8	6	166N-608-401U	3	1	20	165N-308-401U	1	15
18	12	20	6	166N-609-401U	12	1	35	165N-309-401U	1	15
18	16	16	6	166N-610-401U	9	1	30	165N-310-401U	1	15
18	20	12	6	166N-611-401U	6	1	25	165N-311-401U	1	15
18	24	12	6	166N-612-401U	6	1	25	165N-312-401U	1	20
18	36	8	6	166N-613-401U	3	1	20	165N-313-401U	1	20

Heaters are rated at 480 volts, 3 phase.

Heater Listings

400° F Maximum Outlet Air Temperature

Heater Listings - 400° F at 900 SFPM Minimum Airflow										
KW	Dimensions (Inches)			Finned Tubular Construction 65 Watts/Sq. In.				Open Coil Construction 65 Watts/Sq. In.		
	W	H	C	Catalog Number	No. Of Elements	No. Of Circuits	Weight (Lbs.)	Catalog Number	No. Of Circuits	Weight (Lbs.)
22	12	24	6	166N-614-401U	15	1	45	165N-314-401U	1	15
24	16	20	6	166N-615-401U	12	1	40	165N-315-401U	1	20
27	12	30	6	166N-616-401U	18	1	55	165N-316-401U	1	20
27	20	16	6	166N-617-401U	9	1	35	165N-317-401U	1	20
27	24	16	6	166N-618-401U	9	1	35	165N-318-401U	1	20
27	30	12	6	166N-619-401U	6	1	30	165N-319-401U	1	20
30	16	24	6	166N-620-401U	15	1	50	165N-320-401U	1	20
31	12	34	6	166N-621-401U	21	1	60	165N-321-401U	1	20
36	12	38	6	166N-622-401U	24	1	70	165N-322-401U	1	25
36	16	30	6	166N-623-401U	18	1	60	165N-323-401U	1	25
36	20	20	6	166N-624-401U	12	1	45	165N-324-401U	1	20
36	24	20	6	166N-625-401U	12	1	45	165N-325-401U	1	25
36	36	12	6	166N-626-401U	6	1	35	165N-326-401U	1	25
40	12	42	6	166N-627-401U	27	2	75	165N-327-401U	2	25
40	30	16	6	166N-628-401U	9	2	45	165N-328-401U	2	25
42	16	34	6	166N-629-401U	21	2	65	165N-329-401U	2	30
45	12	24	9.5	166N-630-401U	30	2	75	165N-330-401U	2	25
45	20	24	6	166N-631-401U	15	2	55	165N-331-401U	2	25
45	24	24	6	166N-632-401U	15	2	55	165N-332-401U	2	30
48	16	38	6	166N-633-401U	24	2	75	165N-333-401U	2	30
50	12	30	9.5	166N-634-401U	33	2	90	165N-334-401U	2	30
54	12	30	9.5	166N-635-401U	36	2	95	165N-335-401U	2	30
54	16	42	6	166N-636-401U	27	2	85	165N-336-401U	2	35
54	20	30	6	166N-637-401U	18	2	70	165N-337-401U	2	30
54	24	30	6	166N-638-401U	18	2	70	165N-338-401U	2	35
54	30	20	6	166N-639-401U	12	2	55	165N-339-401U	2	30
54	36	16	6	166N-640-401U	9	2	50	165N-340-401U	2	30
58	12	34	9.5	166N-641-401U	39	2	100	165N-341-401U	2	30
60	16	24	9.5	166N-642-401U	30	2	85	165N-342-401U	2	30
63	12	34	9.5	166N-643-401U	42	2	105	165N-343-401U	2	30
63	20	34	6	166N-644-401U	21	2	80	165N-344-401U	2	35
63	24	34	6	166N-645-401U	21	2	80	165N-345-401U	2	40
66	16	30	9.5	166N-646-401U	33	2	95	165N-346-401U	2	35
67	12	38	9.5	166N-647-401U	45	2	115	165N-347-401U	2	35
67	30	24	6	166N-648-401U	15	3	70	165N-348-401U	2	35
72	12	38	9.5	166N-649-401U	48	2	120	165N-349-401U	2	35
72	16	30	9.5	166N-650-401U	36	2	105	165N-350-401U	2	35
72	20	38	6	166N-651-401U	24	2	90	165N-351-401U	2	35
72	24	38	6	166N-652-401U	24	2	90	165N-352-401U	2	40
72	36	20	6	166N-653-401U	12	2	65	165N-353-401U	2	35

Heaters are rated at 480 volts, 3 phase.

Heater Listings

400° F Maximum Outlet Air Temperature

Heater Listings - 400° F at 900 SFPM Minimum Airflow										
KW	Dimensions (Inches)			Finned Tubular Construction 65 Watts/Sq. In.				Open Coil Construction 65 Watts/Sq. In.		
	W	H	C	Catalog Number	No. Of Elements	No. Of Circuits	Weight (Lbs.)	Catalog Number	No. Of Circuits	Weight (Lbs.)
76	12	42	9.5	166N-654-401U	51	3	130	165N-354-401U	2	35
78	16	34	9.5	166N-655-401U	39	3	110	165N-355-401U	2	40
81	12	42	9.5	166N-656-401U	54	3	135	165N-356-401U	3	35
81	20	42	6	166N-657-401U	27	3	100	165N-357-401U	3	40
81	24	42	6	166N-658-401U	27	3	100	165N-358-401U	3	45
81	30	30	6	166N-659-401U	18	3	85	165N-359-401U	3	45
84	16	34	9.5	166N-660-401U	42	3	120	165N-360-401U	3	40
90	16	38	9.5	166N-661-401U	45	3	130	165N-361-401U	3	45
90	20	24	9.5	166N-662-401U	30	3	100	165N-362-401U	3	35
90	24	24	9.5	166N-663-401U	30	3	100	165N-363-401U	3	45
90	36	24	6	166N-664-401U	15	3	80	165N-364-401U	3	40
95	30	34	6	166N-665-401U	21	4	95	165N-365-401U	3	45
95	16	38	9.5	166N-666-401U	48	3	135	165N-366-401U	3	45
100	20	30	9.5	166N-667-401U	33	3	115	165N-367-401U	3	45
100	24	30	9.5	166N-668-401U	33	3	115	165N-368-401U	3	50
102	16	42	9.5	166N-669-401U	51	3	145	165N-369-401U	3	45
108	16	42	9.5	166N-670-401U	54	3	150	165N-370-401U	3	45
108	20	30	9.5	166N-671-401U	36	3	120	165N-371-401U	3	45
108	24	30	9.5	166N-672-401U	36	3	120	165N-372-401U	3	50
108	30	38	6	166N-673-401U	24	4	110	165N-373-401U	3	50
108	36	30	6	166N-674-401U	18	3	100	165N-374-401U	3	50
117	20	34	9.5	166N-675-401U	39	4	135	165N-375-401U	3	50
117	24	34	9.5	166N-676-401U	39	4	135	165N-376-401U	4	55
122	30	42	6	166N-677-401U	27	5	120	165N-377-401U	4	55
126	20	34	9.5	166N-678-401U	42	4	140	165N-378-401U	4	50
126	24	34	9.5	166N-679-401U	42	4	140	165N-379-401U	4	55
126	36	34	6	166N-680-401U	21	4	115	165N-380-401U	4	55
135	20	38	9.5	166N-681-401U	45	4	150	165N-381-401U	4	55
135	20	38	9.5	166N-682-401U	45	4	150	165N-382-401U	4	55
135	24	38	9.5	166N-683-401U	45	4	150	165N-383-401U	4	65
135	30	24	9.5	166N-684-401U	30	4	125	165N-384-401U	4	55
144	20	38	9.5	166N-685-401U	48	4	160	165N-385-401U	4	55
144	24	38	9.5	166N-686-401U	48	4	160	165N-386-401U	4	65
144	36	38	6	166N-687-401U	24	4	130	165N-387-401U	4	60
150	30	30	9.5	166N-688-401U	33	4	140	165N-388-401U	4	65
153	20	42	9.5	166N-689-401U	51	5	170	165N-389-401U	4	60
153	24	42	9.5	166N-690-401U	51	5	170	165N-390-401U	4	70
162	20	42	9.5	166N-691-401U	54	5	180	165N-391-401U	5	60
162	24	42	9.5	166N-692-401U	54	5	180	165N-392-401U	5	70
162	30	30	9.5	166N-693-401U	36	4	150	165N-393-401U	5	65

Heaters are rated at 480 volts, 3 phase.

Heater Listings

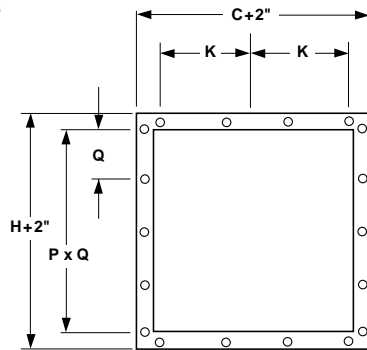
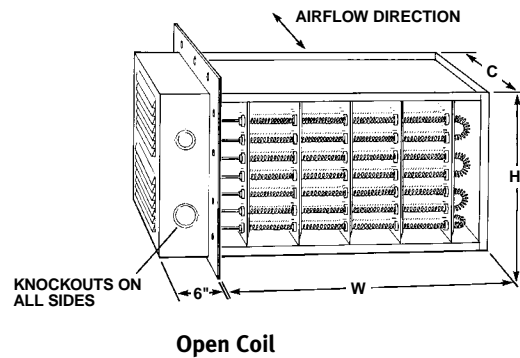
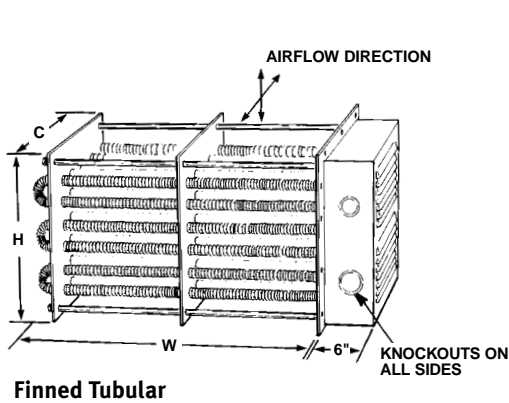
400° F Maximum Outlet Air Temperature

Heater Listings - 400° F at 900 SFPM Minimum Airflow										
KW	Dimensions (Inches)			Finned Tubular Construction 65 Watts/Sq. In.				Open Coil Construction 65 Watts/Sq. In.		
	W	H	C	Catalog Number	No. Of Elements	No. Of Circuits	Weight (Lbs.)	Catalog Number	No. Of Circuits	Weight (Lbs.)
162	36	42	6	166N-694-401U	27	5	145	165N-394-401U	5	65
175	30	34	9.5	166N-695-401U	39	7	165	165N-395-401U	5	70
180	36	24	9.5	166N-696-401U	30	5	150	165N-396-401U	5	60
189	30	34	9.5	166N-697-401U	42	5	175	165N-397-401U	5	70
198	36	30	9.5	166N-698-401U	33	6	170	165N-398-401U	5	75
202	30	38	9.5	166N-699-401U	45	5	190	165N-399-401U	6	80
216	30	38	9.5	166N-700-401U	48	6	200	165N-400-401U	6	80
216	36	30	9.5	166N-701-401U	36	6	180	165N-401-401U	6	75
230	30	42	9.5	166N-702-401U	51	6	215	165N-402-401U	6	85
234	36	34	9.5	166N-703-401U	39	7	195	165N-403-401U	6	85
243	30	42	9.5	166N-704-401U	54	7	220	165N-404-401U	7	85
252	36	34	9.5	166N-705-401U	42	7	210	165N-405-401U	7	85
270	36	38	9.5	166N-706-401U	45	8	225	165N-406-401U	7	90
288	36	38	9.5	166N-707-401U	48	8	240	165N-407-401U	8	95
306	36	42	9.5	166N-708-401U	51	9	255	165N-408-401U	8	100
324	36	42	9.5	166N-709-401U	54	9	265	165N-409-401U	9	100

Heaters are rated at 480 volts, 3 phase.

Heater Listings

600° F Maximum Outlet Air Temperature



Heater Depth C	6"	9.5"							
Mtg. Hole Centers K	2"	3.5"							
Heater Height H	8"	12"	16"	20"	24"	30"	34"	38"	42"
No. of Spaces P	2	3	3	3	3	5	7	7	7
Mtg. Hole Centers Q	3"	3.75"	4.25"	5.25"	5.75"	4.88"	4.38"	4.88"	5.25"

Mounting Hole Details – Mounting hole patterns depend on heater C and H dimensions. Mounting holes are 9/32" diameter, centered 3/8" from the outside edge of the plate.

Heater Listings - 600° F at 900 SFPM Minimum Airflow										
KW	Dimensions (Inches)			Finned Tubular Construction 45 Watts/Sq. In.				Open Coil Construction 55 Watts/Sq. In.		
	W	H	C	Catalog Number	No. Of Elements	No. Of Circuits	Weight (Lbs.)	Catalog Number	No. Of Circuits	Weight (Lbs.)
4	12	8	6	166N-801-601U	3	1	15	165N-101-601U	1	10
5	16	8	6	166N-802-601U	3	1	20	165N-102-601U	1	10
7.5	20	8	6	166N-803-601U	3	1	20	165N-103-601U	1	15
8	12	12	6	166N-804-601U	6	1	25	165N-104-601U	1	10
9	24	8	6	166N-805-601U	3	1	20	165N-105-601U	1	15
10	16	12	6	166N-806-601U	6	1	30	165N-106-601U	1	15
10	26	8	6	166N-807-601U	3	1	20	165N-107-601U	1	15
12	12	16	6	166N-808-601U	9	1	35	165N-108-601U	1	15
12	32	8	6	166N-809-601U	3	1	25	165N-109-601U	1	15
15	16	16	6	166N-810-601U	9	1	40	165N-110-601U	1	15
15	20	12	6	166N-811-601U	6	1	35	165N-111-601U	1	15

Heaters are rated at 480 volts, 3 phase.

Heater Listings

600° F Maximum Outlet Air Temperature

Heater Listings - 600° F at 900 SFPM Minimum Airflow										
KW	Dimensions (Inches)			Finned Tubular Construction 45 Watts/Sq. In.				Open Coil Construction 55 Watts/Sq. In.		
	W	H	C	Catalog Number	No. Of Elements	No. Of Circuits	Weight (Lbs.)	Catalog Number	No. Of Circuits	Weight (Lbs.)
15	40	8	6	166N-812-601U	3	1	25	165N-112-601U	1	20
16	12	20	6	166N-813-601U	12	1	45	165N-113-601U	1	15
18	24	12	6	166N-814-601U	6	1	35	165N-114-601U	1	20
20	12	24	6	166N-815-601U	15	1	55	165N-115-601U	1	15
20	16	20	6	166N-816-601U	12	1	50	165N-116-601U	1	20
20	26	12	6	166N-817-601U	6	1	35	165N-117-601U	1	20
22	20	16	6	166N-818-601U	9	1	45	165N-118-601U	1	20
24	12	30	6	166N-819-601U	18	1	70	165N-119-601U	1	20
24	32	12	6	166N-820-601U	6	1	40	165N-120-601U	1	20
25	16	24	6	166N-821-601U	15	1	60	165N-121-601U	1	20
27	24	16	6	166N-822-601U	9	1	50	165N-122-601U	1	20
28	12	34	6	166N-823-601U	21	1	80	165N-123-601U	1	20
30	16	30	6	166N-824-601U	18	1	75	165N-124-601U	1	25
30	20	20	6	166N-825-601U	12	1	60	165N-125-601U	1	20
30	26	16	6	166N-826-601U	9	1	50	165N-126-601U	1	25
30	40	12	6	166N-827-601U	6	1	45	165N-127-601U	1	25
32	12	38	6	166N-828-601U	24	1	85	165N-128-601U	1	25
35	16	34	6	166N-829-601U	21	1	85	165N-129-601U	1	25
36	12	42	6	166N-830-601U	27	1	95	165N-130-601U	1	25
36	24	20	6	166N-831-601U	12	1	65	165N-131-601U	1	25
36	32	16	6	166N-832-601U	9	1	55	165N-132-601U	1	25
37	20	24	6	166N-833-601U	15	1	70	165N-133-601U	1	25
40	12	24	9.5	166N-834-601U	30	1	95	165N-134-601U	1	25
40	16	38	6	166N-835-601U	24	1	95	165N-135-601U	1	30
40	26	26	6	166N-836-601U	12	1	65	165N-136-601U	1	25
45	12	30	9.5	166N-837-601U	33	2	110	165N-137-601U	2	30
45	16	42	6	166N-838-601U	27	2	105	165N-138-601U	2	35
45	20	30	6	166N-839-601U	18	2	85	165N-139-601U	2	30
45	24	24	6	166N-840-601U	15	2	75	165N-140-601U	2	30
45	40	16	6	166N-841-601U	9	2	65	165N-141-601U	2	35
48	12	30	9.5	166N-842-601U	36	2	115	165N-142-601U	2	30
48	32	20	6	166N-843-601U	12	2	75	165N-143-601U	2	30
50	16	24	9.5	166N-844-601U	30	2	105	165N-144-601U	2	30
50	26	24	6	166N-845-601U	15	2	80	165N-145-601U	2	30
52	12	34	9.5	166N-846-601U	39	2	130	165N-146-601U	2	30
52	20	34	6	166N-847-601U	21	2	100	165N-147-601U	2	35
54	24	30	6	166N-848-601U	18	2	95	165N-148-601U	2	35
55	16	30	9.5	166N-849-601U	33	2	120	165N-149-601U	2	35
56	12	34	9.5	166N-850-601U	42	2	135	165N-150-601U	2	30

Heaters are rated at 480 volts, 3 phase.

Heater Listings

600° F Maximum Outlet Air Temperature

Heater Listings - 600° F at 900 SFPM Minimum Airflow										
KW	Dimensions (Inches)			Finned Tubular Construction 45 Watts/Sq. In.				Open Coil Construction 55 Watts/Sq. In.		
	W	H	C	Catalog Number	No. Of Elements	No. Of Circuits	Weight (Lbs.)	Catalog Number	No. Of Circuits	Weight (Lbs.)
60	12	38	9.5	166N-851-601U	45	2	145	165N-151-601U	2	35
60	16	30	9.5	166N-852-601U	36	2	125	165N-152-601U	2	35
60	20	38	6	166N-853-601U	24	2	110	165N-153-601U	2	35
60	26	30	6	165N-854-601U	18	2	100	165N-154-601U	2	35
60	32	24	6	166N-855-601U	15	2	90	165N-155-601U	2	35
60	40	20	6	166N-856-601U	12	2	85	165N-156-601U	2	40
64	24	34	6	166N-857-601U	21	2	105	165N-157-601U	2	40
64	12	38	9.5	166N-858-601U	48	2	150	165N-158-601U	2	35
64	16	34	9.5	166N-859-601U	39	2	140	165N-159-601U	2	40
68	20	42	6	166N-860-601U	27	2	125	165N-160-601U	2	40
68	12	42	9.5	166N-861-601U	51	2	160	165N-161-601U	2	35
70	16	34	9.5	166N-862-601U	42	2	145	165N-162-601U	2	40
70	26	34	6	166N-863-601U	21	3	115	165N-163-601U	2	40
72	12	42	9.5	166N-864-601U	54	3	170	165N-164-601U	2	35
72	24	38	6	166N-865-601U	24	2	120	165N-165-601U	2	40
72	32	30	6	166N-866-601U	18	2	110	165N-166-601U	2	45
75	16	38	9.5	166N-867-601U	45	5	160	165N-167-601U	2	45
75	20	24	9.5	166N-868-601U	30	5	125	165N-168-601U	2	35
75	40	24	6	166N-869-601U	15	5	105	165N-169-601U	2	45
80	16	38	9.5	166N-870-601U	48	2	165	165N-170-601U	2	45
80	26	38	6	166N-871-601U	24	2	130	165N-171-601U	2	45
80	24	42	9.5	166N-872-601U	27	3	155	165N-172-601U	2	70
82	20	30	9.5	166N-873-601U	33	11	145	165N-173-601U	3	45
85	32	34	6	166N-874-601U	21	3	125	165N-174-601U	3	50
85	16	42	9.5	166N-875-601U	54	3	175	165N-175-601U	3	45
90	16	42	9.5	166N-876-601U	54	3	185	165N-176-601U	3	45
90	20	30	9.5	166N-877-601U	36	3	150	165N-177-601U	3	45
90	24	24	9.5	166N-878-601U	30	5	140	165N-178-601U	3	45
90	26	42	6	166N-879-601U	27	3	145	165N-179-601U	3	50
90	40	30	6	166N-880-601U	18	3	125	165N-180-601U	3	55
96	20	34	9.5	166N-881-601U	24	4	140	165N-181-601U	3	55
98	20	34	9.5	166N-882-601U	42	7	165	165N-182-601U	3	50
100	24	30	9.5	166N-883-601U	33	11	155	165N-183-601U	3	50
100	26	24	9.5	166N-884-601U	30	5	145	165N-184-601U	3	45
105	20	34	9.5	166N-885-601U	42	7	175	165N-185-601U	3	50
105	40	34	6	166N-886-601U	21	7	145	165N-186-601U	3	60
108	24	30	9.5	166N-887-601U	36	3	165	165N-187-601U	3	50
108	32	42	9.5	166N-888-601U	27	3	175	165N-188-601U	3	90
110	26	30	9.5	166N-889-601U	33	11	165	165N-189-601U	3	55

Heaters are rated at 480 volts, 3 phase.

Heater Listings

600° F Maximum Outlet Air Temperature

Heater Listings - 600° F at 900 SFPM Minimum Airflow										
KW	Dimensions (Inches)			Finned Tubular Construction 45 Watts/Sq. In.				Open Coil Construction 55 Watts/Sq. In.		
	W	H	C	Catalog Number	No. Of Elements	No. Of Circuits	Weight (Lbs.)	Catalog Number	No. Of Circuits	Weight (Lbs.)
112	20	38	9.5	166N-890-601U	45	5	190	165N-190-601U	3	55
117	24	34	9.5	166N-891-601U	42	7	185	165N-191-601U	3	55
120	20	38	9.5	166N-892-601U	48	4	200	165N-192-601U	3	55
120	26	30	9.5	166N-893-601U	36	3	175	165N-193-601U	3	55
120	32	24	9.5	166N-894-601U	30	5	165	165N-194-601U	3	55
120	40	38	6	166N-895-601U	24	4	160	165N-195-601U	3	65
125	24	34	9.5	166N-896-601U	42	7	195	165N-196-601U	4	55
127	20	42	9.5	166N-897-601U	54	6	215	165N-197-601U	4	60
130	26	34	9.5	166N-898-601U	42	7	195	165N-198-601U	4	60
132	32	30	9.5	166N-899-601U	33	11	185	165N-199-601U	4	65
135	20	42	9.5	166N-900-601U	54	6	220	165N-201-601U	4	60
135	24	38	9.5	166N-901-601U	45	5	210	165N-202-601U	4	65
135	40	42	6	166N-902-601U	27	9	180	165N-203-601U	4	75
140	26	34	9.5	166N-903-601U	42	7	205	165N-204-601U	4	60
145	24	38	9.5	166N-904-601U	48	4	220	165N-205-601U	4	65
145	32	30	9.5	166N-905-601U	36	4	200	165N-206-601U	4	65
150	26	38	9.5	166N-906-601U	45	5	220	165N-207-601U	4	70
150	40	24	9.5	166N-907-601U	30	5	190	165N-208-601U	4	70
155	24	42	9.5	166N-908-601U	54	5	235	165N-209-601U	4	70
155	32	34	9.5	166N-909-601U	42	7	215	165N-210-601U	4	75
160	26	38	9.5	166N-910-601U	48	4	230	165N-211-601U	4	70
160	24	42	9.5	166N-911-601U	54	5	245	165N-212-601U	5	70
165	40	30	9.5	166N-912-601U	33	11	215	165N-213-601U	5	85
170	32	34	9.5	166N-913-601U	42	7	230	165N-214-601U	5	75
170	26	42	9.5	166N-914-601U	54	6	250	165N-215-601U	5	75
180	26	42	9.5	166N-915-601U	54	6	260	165N-216-601U	5	75
180	32	38	9.5	166N-916-601U	45	5	245	165N-217-601U	5	80
180	40	30	9.5	166N-917-601U	36	6	230	165N-218-601U	5	85
190	32	38	9.5	166N-918-601U	48	8	260	165N-219-601U	5	80
195	40	34	9.5	166N-919-601U	42	7	250	165N-220-601U	5	90
205	32	42	9.5	166N-920-601U	51	6	280	165N-221-601U	6	90
210	40	34	9.5	166N-921-601U	42	7	265	165N-222-601U	6	95
215	32	42	9.5	166N-922-601U	54	6	290	165N-223-601U	6	90
225	40	38	9.5	166N-923-601U	48	8	285	165N-224-601U	6	100
240	40	38	9.5	166N-924-601U	48	8	300	165N-225-601U	7	100
255	40	42	9.5	166N-925-601U	54	9	320	165N-226-601U	7	110
270	40	42	9.5	166N-926-601U	54	9	335	165N-227-601U	7	110

Heaters are rated at 480 volts, 3 phase.

Heater Listings

750° F Maximum Outlet Air Temperature

Heater Listings - 750° F at 1200 SFPM Minimum Airflow										
KW	Dimensions (Inches)			Tubular Construction 30 Watts/Sq. In.				Open Coil Construction 40 Watts/Sq. In.		
	W	H	C	Catalog Number	No. Of Elements	No. Of Circuits	Weight (Lbs.)	Catalog Number	No. Of Circuits	Weight (Lbs.)
40	35	8	9.5*	164N-312-701U	6	2	45	165N-712-701U	2	30
45	20-3/8	20	9.5	164N-313-701U	9	3	65	165N-713-701U	2	35
45	44	8	9.5	164N-314-701U	6	2	45	165N-714-701U	2	35
45	60	6	9.5	164N-315-701U	9	3	45	165N-715-701U	2	40
50	20-3/8	22	9.5	164N-316-701U	15	5	75	165N-716-701U	2	40
60	20-3/8	26	9.5	164N-317-701U	12	2	85	165N-717-701U	2	45
60	35	14	9.5	164N-318-701U	9	3	65	165N-718-701U	2	45
60	60	8	9.5	164N-319-701U	12	2	60	165N-719-701U	2	50
67	44	14	9.5	164N-320-701U	9	3	70	165N-720-701U	2	55
70	20-3/8	26	9.5	164N-321-701U	21	3	95	165N-721-701U	2	45
75	20-3/8	26	9.5	164N-322-701U	15	5	95	165N-722-701U	2	45
75	60	8	9.5*	164N-323-701U	15	5	70	165N-723-701U	2	50
80	20-3/8	34	9.5	164N-324-701U	24	4	115	165N-724-701U	3	55
80	35	18	9.5	164N-325-701U	12	3	85	165N-725-701U	2	50
90	20-3/8	38	9.5	164N-326-701U	18	3	125	165N-726-701U	3	60
90	44	18	9.5	164N-327-701U	12	4	95	165N-727-701U	3	65
90	60	10	9.5	164N-328-701U	18	3	85	165N-728-701U	3	55
100	20-3/8	42	9.5	164N-329-701U	30	5	140	165N-729-701U	3	65
100	39	22	9.5	164N-330-701U	15	3	105	165N-730-701U	3	60
105	60	10	9.5*	164N-331-701U	21	3	95	165N-731-701U	3	55
110	20-3/8	42	9.5	164N-332-701U	33	11	150	165N-732-701U	3	65
112	44	22	9.5	164N-333-701U	15	5	115	165N-733-701U	3	75
120	35	22	9.5	164N-334-701U	18	6	120	165N-734-701U	4	60
120	39	26	9.5	164N-335-701U	18	6	125	165N-735-701U	4	70
120	60	12	9.5	164N-336-701U	24	4	110	165N-736-701U	4	65
135	44	22	9.5	164N-337-701U	18	6	130	165N-737-701U	4	75
135	60	14	9.5	164N-338-701U	27	3	125	165N-738-701U	4	70
140	35	26	9.5	164N-339-701U	21	3	140	165N-739-701U	4	70
140	35	34	9.5	164N-340-701U	21	3	150	165N-740-701U	4	85
150	60	14	9.5	164N-341-701U	30	5	135	165N-741-701U	4	70
157	44	22	9.5	164N-342-701U	21	7	145	165N-742-701U	4	75
160	35	26	9.5	164N-343-701U	24	6	155	165N-743-701U	5	70
160	35	34	9.5	164N-344-701U	33	6	150	165N-744-701U	5	85
165	60	16	9.5*	164N-345-701U	27	11	180	165N-745-701U	5	80
180	35	34	9.5	164N-346-701U	27	9	180	165N-746-701U	5	85
180	44	22	9.5	164N-347-701U	24	8	160	165N-747-701U	5	75
180	60	18	9.5	164N-348-701U	36	6	165	165N-748-701U	5	85
195	60	18	9.5	164N-349-701U	42	7	175	165N-749-701U	5	85
200	35	34	9.5	164N-350-701U	30	5	195	165N-750-701U	6	85

Heaters are rated at 480 volts, 3 phase.

* On this item the C dimension is 14 inches for open coil.

Heater Listings

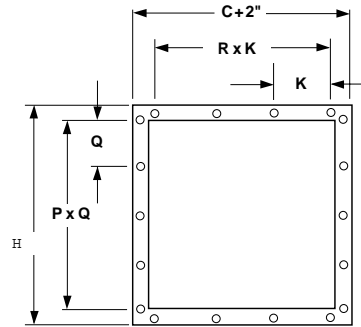
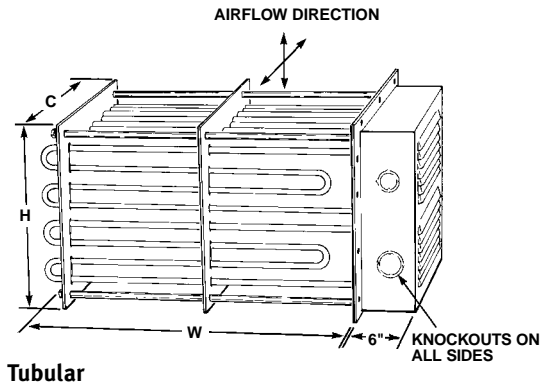
750° F Maximum Outlet Air Temperature

Heater Listings - 750° F at 1200 SFPM Minimum Airflow										
KW	Dimensions (Inches)			Tubular Construction 30 Watts/Sq. In.				Open Coil Construction 40 Watts/Sq. In.		
	W	H	C	Catalog Number	No. Of Elements	No. Of Circuits	Weight (Lbs.)	Catalog Number	No. Of Circuits	Weight (Lbs.)
200	44	26	9.5	164N-351-701U	27	9	185	165N-751-701U	6	85
210	60	20	9.5	164N-352-701U	42	7	190	165N-752-701U	6	90
220	35	26	18-3/8	164N-353-701U	33	11	230	165N-753-701U	6	125
225	44	26	9.5	164N-354-701U	30	10	200	165N-754-701U	6	85
225	60	22	9.5	164N-355-701U	45	5	205	165N-755-701U	6	100
240	35	26	18-3/8	164N-356-701U	36	6	240	165N-756-701U	7	125
240	60	22	9.5	164N-357-701U	48	8	215	165N-757-701U	7	100
250	44	34	9.5	164N-358-701U	33	11	225	165N-758-701U	7	105
255	60	24	9.5	164N-359-701U	54	9	230	165N-759-701U	7	105
260	35	32	18-3/8	164N-360-701U	39	7	270	165N-760-701U	7	150
270	44	34	9.5	164N-361-701U	36	12	245	165N-761-701U	7	105
270	60	24	9.5	164N-362-701U	54	9	240	165N-762-701U	7	105
280	35	32	18-3/8	164N-363-701U	42	7	285	165N-763-701U	8	150
285	60	26	9.5	164N-364-701U	60	10	255	165N-764-701U	8	115
290	44	22	18-3/8	164N-365-701U	39	13	270	165N-765-701U	8	135
300	35	32	18-3/8	164N-366-701U	45	5	300	165N-766-701U	8	150
300	60	28	9.5	164N-367-701U	60	10	270	165N-767-701U	8	120
315	44	22	18-3/8	164N-368-701U	42	14	285	165N-768-701U	8	135
315	60	30	9.5	164N-369-701U	63	7	285	165N-769-701U	8	130
320	35	32	18-3/8	164N-370-701U	48	8	315	165N-770-701U	9	150
330	60	30	9.5	164N-371-701U	66	11	295	165N-771-701U	9	130
335	44	22	18-3/8	164N-372-701U	45	15	300	165N-772-701U	9	135
340	35	38	18-3/8	164N-373-701U	54	9	340	165N-773-701U	9	175
345	60	32	9.5	164N-374-701U	72	12	310	165N-774-701U	9	135
360	35	38	18-3/8	164N-375-701U	54	9	355	165N-775-701U	10	175
360	44	22	18-3/8	164N-376-701U	48	16	315	165N-776-701U	10	135
360	60	32	9.5	164N-377-701U	72	12	320	165N-777-701U	10	135
375	60	34	9.5	164N-378-701U	75	13	335	165N-778-701U	10	145
380	35	38	18-3/8	164N-379-701U	57	19	370	165N-779-701U	10	175
380	44	26	18-3/8	164N-380-701U	51	17	340	165N-780-701U	10	155
390	60	36	9.5	164N-381-701U	81	9	350	165N-781-701U	10	150
400	35	38	18-3/8	164N-382-701U	60	10	385	165N-782-701U	11	175
405	44	26	18-3/8	164N-383-701U	54	18	360	165N-783-701U	11	155
405	60	38	9.5	164N-384-701U	81	9	360	165N-784-701U	11	160
420	60	38	9.5	164N-385-701U	84	14	375	165N-785-701U	11	160
425	44	26	18-3/8	164N-386-701U	57	19	375	165N-786-701U	11	155
435	60	40	9.5	164N-387-701U	90	15	390	165N-787-701U	11	165
450	44	26	18-3/8	164N-388-701U	60	20	390	165N-788-701U	12	155
450	60	40	9.5	164N-389-701U	90	15	400	165N-789-701U	12	165

Heaters are rated at 480 volts, 3 phase.

Heater Listings

750° F Maximum Outlet Air Temperature Low Velocity Heater



Heater Height H	4"	6"	8"	10"	12"	14"	16"	18"	20"	22"
No. of Spaces P	1	1	2	3	3	3	3	3	3	3
Mtg. Hole Centers Q	2.5"	3.5"	3"	2.75"	3.25"	3.75"	4.25"	4.75"	5.25"	5.75"

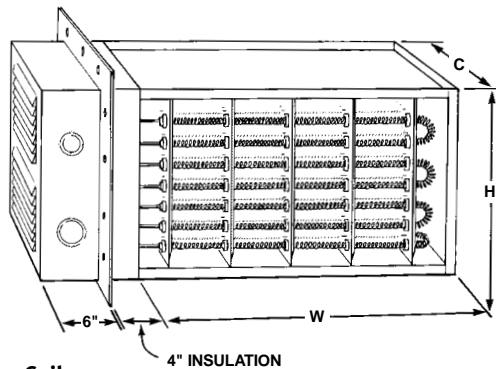
Mounting Hole Details – Mounting hole patterns depend on H dimensions. Mounting holes are 9/32" diameter, centered 3/8" from the outside edge of the plate.

Heater Listings - 750° F at 900 SFPM Minimum Airflow							
KW	Dimensions (Inches)			Tubular Construction 22 Watts/Sq. In.			
	W	H	C	Catalog Number	No. Of Elements	No. Of Circuits	Weight (Lbs.)
6	20-3/8	4	8-11/16	164N-901-701U	3	1	15
12	20-3/8	6	8-11/16	164N-902-701U	6	1	25
18	20-3/8	8	8-11/16	164N-903-701U	9	1	35
24	20-3/8	10	8-11/16	164N-904-701U	12	1	45
30	20-3/8	12	8-11/16	164N-905-701U	9	1	50
36	20-3/8	14	8-11/16	164N-906-701U	18	1	65
42	20-3/8	16	8-11/16	164N-907-701U	15	1	70
48	20-3/8	18	8-11/16	164N-908-701U	18	1	80
54	20-3/8	20	8-11/16	164N-909-701U	18	1	90
60	20-3/8	22	8-11/16	164N-910-701U	18	1	95

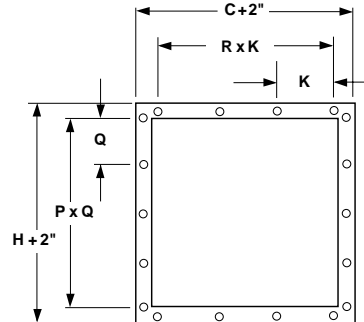
Heaters are rated at 480 volts, 3 phase.

Heater Listings

1200° F Maximum Outlet Air Temperature



Open Coil



Heater Depth C	9.5"	14"	18.38"																	
No. of Spaces R	2	3	4																	
Mtg. Hole Centers K	3.5"	3.88"	3.88"																	
Heater Height H	4"	6"	8"	10"	12"	14"	16"	18"	20"	22"	24"	26"	28"	30"	32"	34"	36"	38"	40"	42"
No. of Spaces P	1	1	2	3	3	3	3	3	3	3	3	5	5	5	5	7	7	7	7	7
Mtg. Hole Centers Q	2.5"	3.5"	3"	2.75"	3.25"	3.75"	4.25"	4.75"	5.25"	5.75"	5.75"	4.5"	5.25"	4.88"	4.88"	4.38"	4.88"	4.88"	5.38"	5.25"

Mounting Hole Details – Mounting hole patterns depend on heater C and H dimensions. Mounting holes are 9/32" diameter, centered 3/8" from the outside edge of the plate.

Heater Listings - 1200° F at 1600 SFPM Minimum Airflow										
KW	Dimensions (Inches)			Tubular Construction 22 Watts/Sq. In.				Open Coil Construction 25 Watts/Sq. In.		
	W	H	C	Catalog Number	No. Of Elements	No. Of Circuits	Weight (Lbs.)	Catalog Number	No. Of Circuits	Weight (Lbs.)
5	20-3/8	4	9.5	164N-101-101U	3	1	25	-	-	-
10	20-3/8	6	9.5*	164N-102-101U	3	1	30	165N-802-101U	1	20
10	56	4	9.5*	164N-103-101U	3	1	25	165N-803-101U	1	35
12	35	6	9.5	164N-104-101U	3	1	30	165N-804-101U	1	30
15	20-3/8	8	9.5*	164N-105-101U	6	1	40	165N-805-101U	1	20
15	44	6	9.5	164N-106-101U	3	1	35	165N-806-101U	1	30
20	20-3/8	10	9.5*	164N-107-101U	6	1	50	165N-807-101U	1	25
20	56	4	9.5	164N-108-101U	6	1	55	-	-	-
24	35	8	9.5	164N-109-101U	6	1	50	165N-809-101U	1	35
25	20-3/8	12	9.5*	164N-110-101U	9	1	60	165N-810-101U	1	25
30	20-3/8	14	9.5	164N-111-101U	9	1	65	165N-811-101U	1	30
30	44	8	9.5	164N-112-101U	6	1	55	165N-812-101U	1	40
30	56	6	9.5	164N-113-101U	9	1	50	165N-813-101U	1	40
35	20-3/8	16	9.5*	164N-114-101U	12	1	80	165N-814-101U	1	30

Heaters are rated at 480 volts, 3 phase.

All 1200° F heaters come with 4" of insulation below flange.

* On this item the C dimension is 14 inches for open coil.

Heater Listings

1200° F Maximum Outlet Air Temperature

Heater Listings - 1200° F at 1600 SFPM Minimum Airflow										
KW	Dimensions (Inches)			Tubular Construction 22 Watts/Sq. In.				Open Coil Construction 25 Watts/Sq. In.		
	W	H	C	Catalog Number	No. Of Elements	No. Of Circuits	Weight (Lbs.)	Catalog Number	No. Of Circuits	Weight (Lbs.)
40	20-3/8	18	9.5*	164N-116-101U	12	2	85	165N-816-101U	2	35
40	56	8	9.5*	164N-117-101U	12	2	65	165N-817-101U	2	50
45	20-3/8	20	9.5	164N-118-101U	15	5	95	165N-818-101U	2	40
45	44	14	9.5	164N-119-101U	9	3	80	165N-819-101U	2	55
48	35	18	9.5	164N-120-101U	12	2	95	165N-820-101U	2	55
50	20-3/8	22	9.5	164N-121-101U	15	5	105	165N-821-101U	2	40
50	56	8	9.5*	164N-122-101U	15	5	75	165N-822-101U	2	50
60	20-3/8	26	9.5	164N-123-101U	18	2	125	165N-823-101U	2	45
60	35	22	9.5	164N-124-101U	15	5	115	165N-824-101U	2	65
60	44	18	9.5	164N-125-101U	12	2	105	165N-825-101U	2	65
60	56	10	9.5	164N-126-101U	18	2	90	165N-826-101U	2	55
70	20-3/8	26	9.5*	164N-127-101U	24	4	135	165N-827-101U	2	45
70	56	10	9.5*	164N-128-101U	24	4	100	165N-828-101U	2	55
72	35	22	9.5	164N-129-101U	18	2	125	165N-829-101U	2	65
75	44	22	9.5	164N-130-101U	15	5	130	165N-830-101U	3	80
80	20-3/8	34	9.5	164N-131-101U	24	4	160	165N-831-101U	3	55
80	56	12	9.5	164N-132-101U	24	4	115	165N-832-101U	3	65
85	35	22	9.5	164N-133-101U	24	4	140	165N-833-101U	3	65
90	20-3/8	38	9.5	164N-134-101U	27	3	180	165N-834-101U	3	60
90	44	22	9.5	164N-135-101U	18	3	140	165N-835-101U	3	80
90	56	14	9.5	164N-136-101U	27	3	130	165N-836-101U	3	70
95	35	22	9.5	164N-137-101U	24	4	150	165N-837-101U	3	65
100	20-3/8	42	9.5	164N-138-101U	30	5	200	165N-838-101U	3	65
100	56	14	9.5*	164N-139-101U	30	5	140	165N-839-101U	3	70
105	44	22	9.5	164N-140-101U	24	4	155	165N-840-101U	3	80
108	35	26	9.5	164N-141-101U	27	3	170	165N-841-101U	3	75
110	20-3/8	42	9.5*	164N-142-101U	33	11	210	165N-842-101U	3	65
110	56	16	9.5	164N-143-101U	33	11	155	165N-843-101U	4	75
120	35	26	9.5	164N-144-101U	30	5	180	165N-844-101U	4	75
120	44	22	9.5	164N-145-101U	24	4	170	165N-845-101U	4	80
120	56	18	9.5	164N-146-101U	24	4	170	165N-846-101U	4	85
130	56	18	9.5	164N-147-101U	42	7	180	165N-847-101U	4	85
130	35	34	9.5	164N-148-101U	36	4	210	165N-848-101U	4	90
135	44	26	9.5	164N-149-101U	27	3	195	165N-849-101U	4	90
140	56	20	9.5	164N-150-101U	42	7	195	165N-850-101U	4	90
150	56	22	9.5	164N-151-101U	45	5	205	165N-851-101U	4	100
155	35	38	9.5	164N-152-101U	42	7	245	165N-852-101U	4	100
160	56	22	9.5*	164N-153-101U	48	8	220	165N-853-101U	5	100
165	44	34	9.5	164N-154-101U	36	6	240	165N-854-101U	5	110
170	35	38	9.5	164N-155-101U	42	7	255	165N-855-101U	5	100
170	56	24	18-3/8	164N-156-101U	54	6	230	165N-856-101U	5	105
180	35	42	9.5	164N-157-101U	45	5	275	165N-857-101U	5	110

Heaters are rated at 480 volts, 3 phase.

*On this item the C dimension is 14 inches for open coil.

Heater Listings

1200° F Maximum Outlet Air Temperature

Heater Listings - 1200° F at 1600 SFPM Minimum Airflow										
KW	Dimensions (Inches)			Tubular Construction 22 Watts/Sq. In.				Open Coil Construction 25 Watts/Sq. In.		
	W	H	C	Catalog Number	No. Of Elements	No. Of Circuits	Weight (Lbs.)	Catalog Number	No. Of Circuits	Weight (Lbs.)
180	56	24	9.5	164N-158-101U	54	5	240	165N-858-101U	5	105
190	56	26	9.5	164N-159-101U	60	5	255	165N-859-101U	5	110
190	35	42	9.5	164N-160-101U	48	8	290	165N-860-101U	5	110
195	44	38	9.5	164N-161-101U	42	7	280	165N-861-101U	5	120
200	56	28	9.5	164N-162-101U	60	5	270	165N-862-101U	6	120
205	35	26	18-3/8	164N-163-101U	54	6	310	165N-863-101U	6	135
210	44	38	9.5	164N-164-101U	42	7	295	165N-864-101U	6	125
210	56	30	9.5	164N-165-101U	63	7	285	165N-865-101U	6	125
215	35	26	18-3/8	164N-166-101U	54	6	325	165N-866-101U	6	135
220	56	30	9.5	164N-167-101U	66	11	295	165N-867-101U	6	125
225	44	42	9.5	164N-168-101U	45	9	315	165N-868-101U	6	135
230	35	26	18-3/8	164N-172-101U	60	5	335	165N-872-101U	6	130
230	56	32	9.5	164N-173-101U	72	6	310	165N-873-101U	6	130
240	35	26	18-3/8	164N-174-101U	60	5	345	165N-874-101U	7	135
240	44	42	9.5	164N-175-101U	48	8	330	165N-875-101U	7	135
240	56	32	9.5	164N-176-101U	72	6	320	165N-876-101U	7	135
250	56	34	9.5	164N-177-101U	81	9	335	165N-877-101U	7	140
250	35	32	18-3/8	164N-178-101U	63	7	380	165N-878-101U	7	155
255	44	26	18-3/8	164N-179-101U	54	9	355	165N-879-101U	7	165
260	56	36	9.5	164N-180-101U	78	7	350	165N-880-101U	7	145
265	35	32	18-3/8	164N-181-101U	66	11	395	165N-881-101U	7	155
270	44	26	18-3/8	164N-182-101U	54	9	370	165N-882-101U	7	165
270	56	38	9.5	164N-183-101U	81	9	365	165N-883-101U	7	155
275	35	32	18-3/8	164N-184-101U	72	8	405	165N-884-101U	7	155
280	56	38	9.5	164N-185-101U	84	7	375	165N-885-101U	7	155
285	44	26	18-3/8	164N-186-101U	60	5	385	165N-886-101U	8	165
290	35	32	18-3/8	164N-187-101U	72	8	415	165N-887-101U	8	155
290	56	40	9.5	164N-188-101U	90	10	390	165N-888-101U	8	160
300	35	38	18-3/8	164N-189-101U	81	9	450	165N-889-101U	8	180
300	44	26	18-3/8	164N-190-101U	60	10	400	165N-890-101U	8	165
300	56	40	9.5	164N-191-101U	90	10	400	165N-891-101U	8	160
315	35	38	18-3/8	164N-192-101U	81	9	465	165N-892-101U	8	180
315	44	32	18-3/8	164N-193-101U	63	7	435	165N-893-101U	8	195
325	35	38	18-3/8	164N-194-101U	81	9	475	165N-894-101U	9	180
330	44	32	18-3/8	164N-195-101U	66	11	450	165N-895-101U	9	195
335	35	38	18-3/8	164N-196-101U	84	7	485	165N-896-101U	9	180
345	44	32	18-3/8	164N-197-101U	72	12	480	165N-897-101U	9	195
360	44	32	18-3/8	164N-198-101U	72	12	480	165N-898-101U	10	195
375	44	38	18-3/8	164N-199-101U	78	13	515	165N-899-101U	10	225
390	44	38	18-3/8	164N-200-101U	78	13	530	165N-900-101U	10	225
405	44	38	18-3/8	164N-201-101U	84	14	545	165N-901-101U	11	225
420	44	38	18-3/8	164N-202-101U	84	14	560	165N-902-101U	11	225

Heaters are rated at 480 volts, 3 phase.