



# INSTALLATION, OPERATION AND MAINTENANCE INSTRUCTIONS FOR INDEECO COMMERCIAL CEILING HEATER “CCI SERIES”

## RECESS MOUNTING

1. Heater must be used with recess box as shown.
2. Never install warm air outlet of heater less than 10 inches (250 mm) from wall.
3. Provide an opening as shown 4 inches (102 mm) deep minimum.
4. Remove the appropriate knockout from the box for the electrical supply.
5. Firmly attach the recess box using screws provided.
6. Install the heater to the recess box and be sure that the heater is attached firmly with four provided screws.
7. Connect the heater leads to the supply leads according to national and local codes. See wiring diagram.
8. Ensure fan rotates freely and the heater assembly is free of foreign material. Ensure the solid panel of the front cover is in front of the supply terminal box. Install the front cover using screws provided.
9. To test the heater, temporarily set thermostat to maximum temperature.

## **SURFACE MOUNTING**

1. The surface box must be used with recess box as shown.
2. Never install warm air outlet of heater less than 10 inches (250 mm) from wall.
3. Locate the power supply leads behind the planned location of the heater (surface box).
4. Mount the surface box securely to the ceiling with provided screws.
5. Follow instructions 4 to 9 above for recess ceiling mounting.

## **DROP CEILING MOUNTING**

1. Install the T Bar Adaptor on the ceiling, with wires or chains.
2. Mount the recess box on the T Bar, with six screws provided.
3. Follow instructions 4 to 9 as above for recess ceiling mounting.

## **OPTIONS**

See installation pamphlet provided with option to install relay and relay with transformer kits on site.

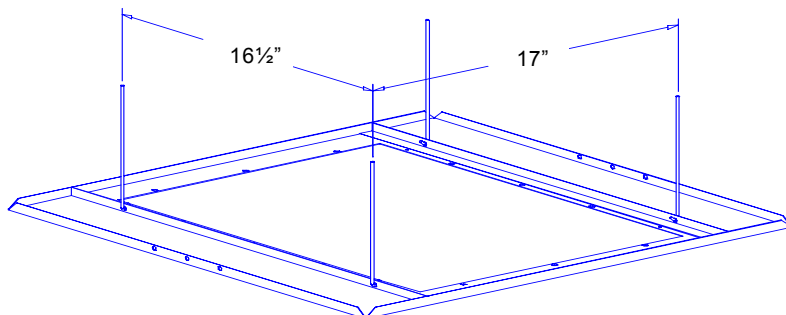
### **CAUTION**

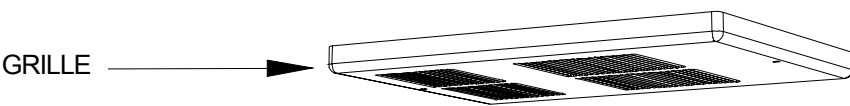
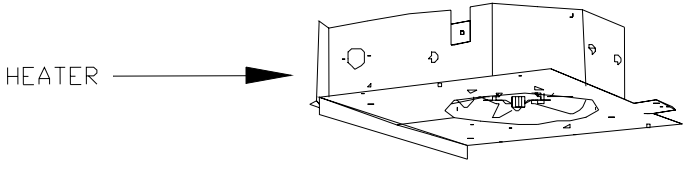
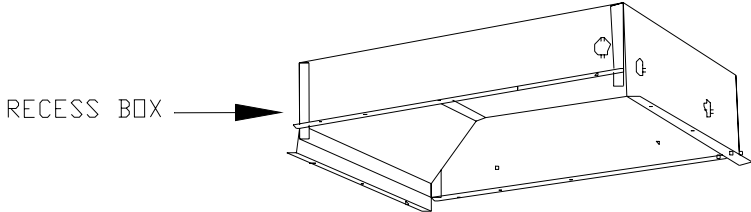
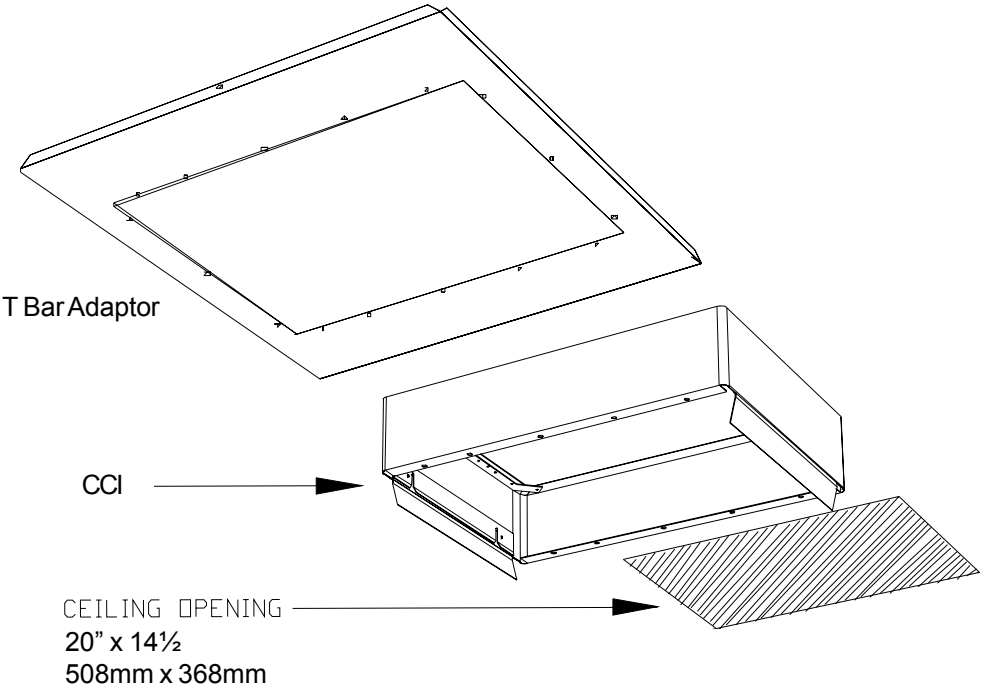
This unit could weigh up to  
**52 lbs (24Kg)**

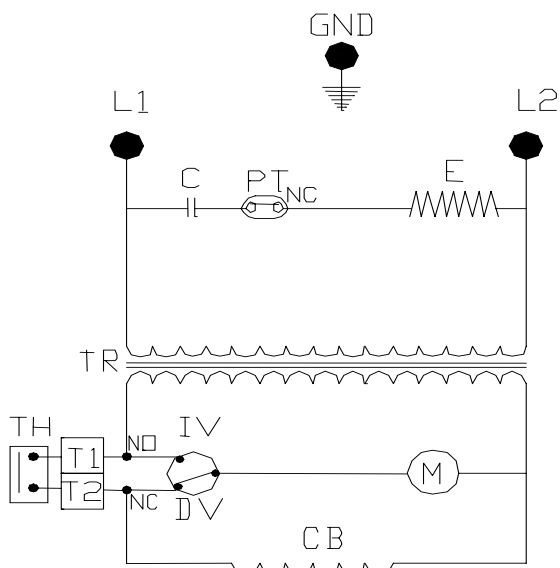
Install the T Bar ceiling adaptor  
solidly to the ceiling truss.

### **CAUTION**

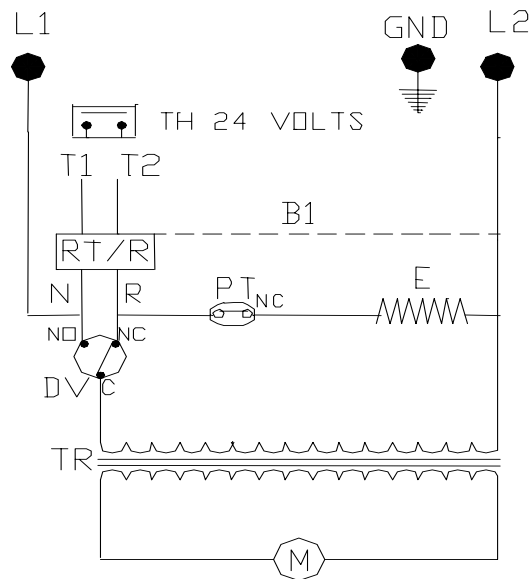
Do not obstruct front of heater for at least  
48 inches (1200mm).



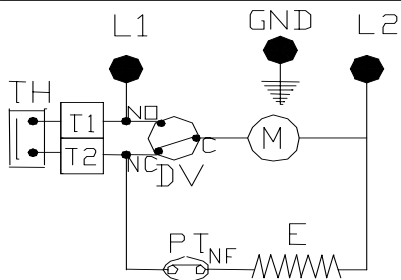




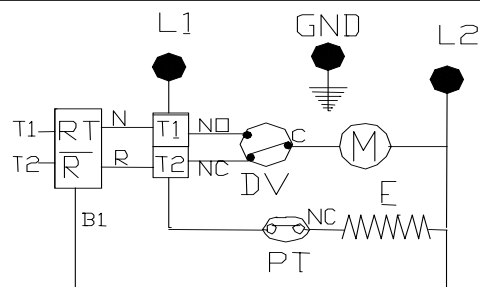
277 and 480 Volt without custom option codes R1 and R2.



277 and 480 Volt without custom option codes R1 and R2.



208/240 Volt without custom option codes R1 and R2.



208/240 Volt without custom option codes R1 and R2.

**CONTROL MUST BE CONNECTED AT T1-T2**

- |       |                   |                        |
|-------|-------------------|------------------------|
|       | C-CONTACTOR       | PT-HI-LIMIT            |
|       | CB-CONTACTOR COIL | TH-REMOTE THERMOSTAT   |
|       | E-ELEMENT         | TR-TRANSFORMER 277/240 |
|       | M-MOTOR           | 480/240                |
|       | B1-BLUE WIRE      | 150 VA                 |
| RELAY | N-BLACK WIRE      | DV-FAN DELAY           |
|       | R-RED WIRE        |                        |

INDEECO  
 425 Hanley Industrial Court  
 St. Louis, MO 63144  
 Phone: (314) 644-4300 Fax: (314) 644-5332  
 www.indeeco.com