

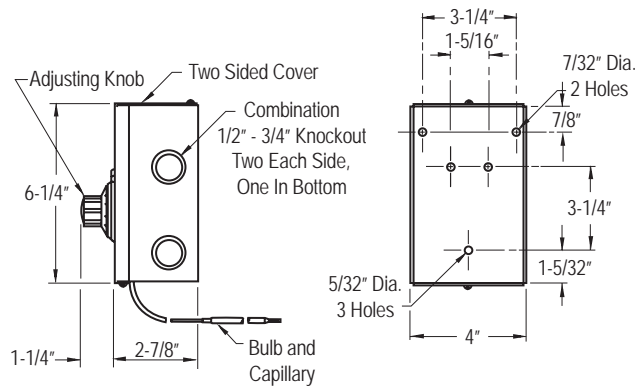
Thermostats and Accessories

Thermostats

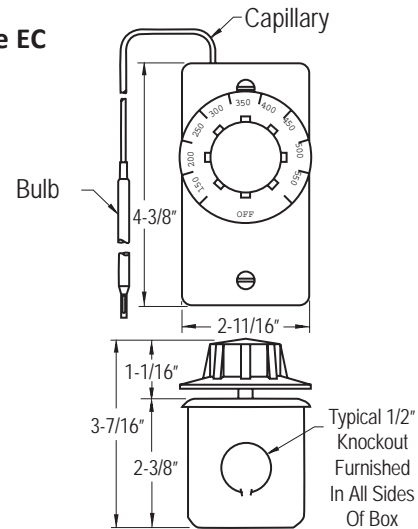
Thermostats may be mounted inside a terminal enclosure or remote mounted (separate from the heater assembly). If using a remote mounted thermostat, be sure to order sufficient capillary tube length to permit installation.

Thermostats regulate temperature in non-critical applications. They sense temperature, within a preset range and cycle heaters on and off to maintain the set point.

Type DA



Type EC



Type DA Thermostats

Range °F	Poles	Capillary Length (Inches)	Bulb & Capillary Material	Bulb Size (Dia. x Length) (Inches)	Catalog Number
0-100	2	12	Copper	3/8 x 4-1/8	DA1-6A12
0-100	3	48	Copper	3/8 x 4-1/8	DA3-6A48
60-250	2	48	Copper	3/16 x 15-3/8	HA1-3C96*
60-250	2	96	Copper	3/8 x 4-1/2	DA1-6C96

* combination thermostat/thermal cutout. Thermal cutout temperature is 50° F above the control set point

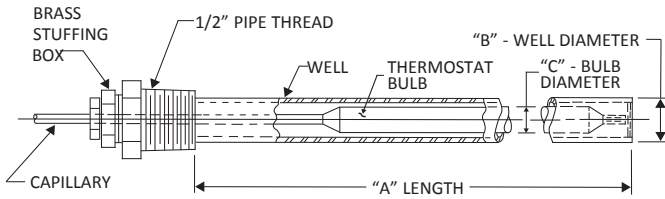
Type EC Thermostats

Catalog Number	Range °F	Bulb Size (Dia. x Length) (Inches)	Capillary Length (Inches)	Bulb & Capillary Material	One-Pole, Capacity in KW		
					120V	208V	240V
EC1-6A120	0-100	3/8 x 6	120	Copper	3	5.2	6
EC1-6C36	60-250	3/8 x 4-1/2	36	Copper			
EC1-3D36	150-550	3/16 x 11-3/4	36	Steel			

Pilot duty rating is 125VA at 240 volts maximum, resistive rating of 25 amp up to 250 volts. All thermostats are available in a painted steel NEMA 4 enclosure.

Thermostats and Accessories

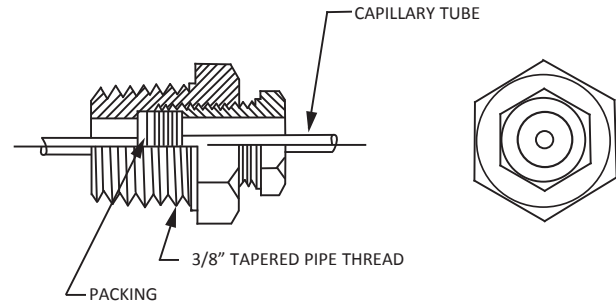
Wells



Wells are used to protect the bulb from corrosion or for mechanical support. Each well is furnished with a brass stuffing box to hold the capillary in place after installation. To order, specify catalog number and thermostat type.

Catalog Number (Stainless)	Dimensions (Inches)		
	A	B	C
WSS12A	12	5/16	3/16
WSS18A	18		
WSS24A	24		
WSS36A	36	9/16	3/8
WSS06B	6		
WSS12B	12		
WSS18B	18		
WSS24B	24		

Pipe Thread Connectors



Pipe thread connectors (stuffing boxes) are used to make a liquid-tight connection where the bulb goes through a tank wall. If the wall is thick enough, it may be drilled and tapped to receive the stuffing box thread. Otherwise, a coupling must be provided.

Part Number	Application		
	Bulb Dia. (Inches)	Thermostat Type	Material
1000874	3/16	DA or EC	Stainless
1000844	3/8	DA or EC	Brass
1024649	3/8	DA or EC	Nickel/Brass

Thermostats and Accessories

Magnetic Contactors

Two-Pole Contactors for Single-Phase Circuits

Catalog Number	Current Rating (Amps/Pole) Resistive	Overall Case Dimensions (Inches)			Wt. Lb.	Holding Coil VA Ratings		Rating in KW (Not Amps)					
		Height	Width	Depth		Inrush	Holding	120V	208V	240V	277V	480V	600V
120-13L	40*	6-1/2	5-7/8	4	2-1/2	55	5.5	4.8	8.3	9.6	11.0	19.2	18.0
120-15A	50	6-1/2	5	4	2-1/2	55	5.5	6.0	10.4	12.0	13.8	24.0	30.0
120-26A	75	10-7/16	5-11/16	6-1/4	15-1/2	92	10	9.0	15.6	18.0	20.7	36.0	45.0
120-28	90	14-3/8	8-3/8	5-3/8	18	440	45	10.8	18.7	21.6	24.9	43.2	54.0
▲120-230 MTE	30	8-7/8	6-3/8	4-1/4	6	18	11	3.6	6.2	7.2	8.3	—	—

Three-Pole Contactors for Three-Phase Circuits

Catalog Number	Current Rating (Amps/Pole) Resistive	Overall Case Dimensions (Inches)			Wt. Lb.	Holding Coil VA Ratings		Rating in KW (Not Amps)					
		Height	Width	Depth		Inrush	Holding	120V	208V	240V	277V	480V	600V
120-14K	40*	6-1/2	5	4	2-1/2	55	5.5	—	14.4	16.6	—	33.2	31.1
120-16K	50	6-1/2	5	4	2-1/2	55	5.5	—	18.0	20.7	—	41.5	51.9
120-27A	75	10-7/16	5-11/16	6-1/4	15-1/2	92	10	—	27.0	31.1	—	62.3	77.9
120-29	90	14-3/8	8-3/8	5-3/8	18	440	45	—	32.4	37.4	—	74.8	93.5
120-41	125	10	11	5-1/4	27	440	45	—	45.0	51.9	—	103.9	129.9
120-41B	160	22-1/8	12-7/8	6-1/4	37	957	75	—	57.6	66.5	—	133.0	166.2
▲120-330 MTE	30	10-1/4	9-1/8	5	9	23	18	—	10.8	12.4	—	—	—

▲Mercury Contactor

*Current rating decreases to 30 amps/pole for voltages greater than 480.

Myers Scru-Tite Hub

Pipe Size (Inches)	K (Inches)		Part Number	
	Min	Max	Zinc	Stainless Steel
1/2	55/64	7/8	1007184	1019099
3/4	1-1/16	1-1/8	1007190	1000565
1	1-21/64	1-3/8	1000101	1000523
1-1/4	1-43/64	1-3/4	1007193	1000509
1-1/2	1-59/64	2	1000115	1019098
2	2-25/64	2-1/2	1000087	1000136
2-1/2	2-57/64	3	1000129	—
3	3-33/64	3-5/8	1000176	—
3-1/2	4-1/64	4-1/8	1000192	—
4	4-33/64	4-5/8	1000208	—

