



425 Hanley Industrial Court - St. Louis, MO 63144  
Tel.: (314) 644-4305, Fax: (314) 644-5332  
www.indeeco.com

## INSTALLATION INSTRUCTIONS for Wall Heater «WHI Series»

**INSTALLATION MUST BE ACCOMPLISHED  
BY A QUALIFIED TECHNICIAN**



**RISK OF ELECTRIC SHOCK**



### WARNING

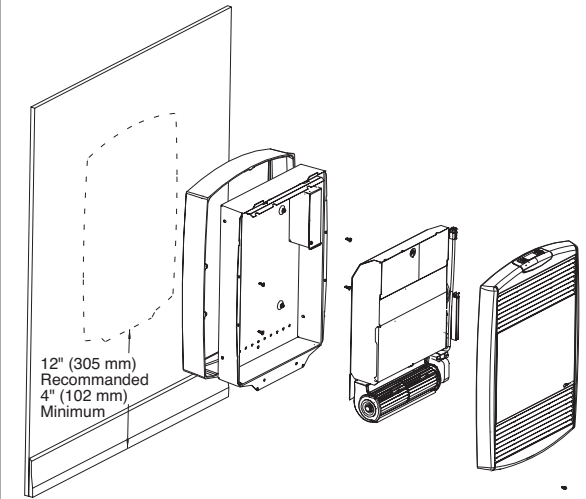
*Read Carefully - These instructions contain necessary information for the proper installation, use and efficient operation of the heater. Carefully read these instructions before installation, operation of the heater. Failure to adhere to the instructions could result in fire, electric shock, serious personal injury, death or property damage. Save these instructions and review frequently for continuing safe operation and instruction of future users, if necessary.*

### ATTENTION

1. Carefully read these instructions before installation.
2. Never paint the heater.
3. Never alter the heater.
4. Never install the heater on a wall covered with vinyl.
5. Do not use outdoors.
6. This heater may become hot when in use. To avoid burns, do not touch hot surfaces of the heater with bare skin. Keep all combustible materials away from top and front of heater: furniture, pillows, bedding, paper, clothing, bath towel, bath robe, drapes, etc.
7. **Heater should not be blocked in any manner.**
8. Install heater in position shown in installation figures of these instructions.
9. Allow 102 mm (4 in.) minimum clearance below heater.
10. Allow 25 mm (1 in.) minimum clearance between sides of heater and any adjacent walls.
11. Allow 1219 mm (48 in.) minimum in front of heater.

12. We recommend to keep a distance of 1004 mm (39 1/2 in.) minimum from a bathtub according to local and national codes.
13. Extreme caution is necessary when any heater is used by or near children or invalids and whenever the heater is left operating and unattended.
14. Use intended holes in enclosure to secure heater in place as specified in these instructions.
15. To avoid electric shock disconnect all power to heater at the main service panel before installation, wiring or servicing and replace front cover of heater before putting the power back.
16. Use power supply wire suitable for at least 90 °C (194 °F).
17. All wiring must be done in accordance with the national and local electrical codes and the heater must be grounded.
18. A incorrectly installed heater may be permanently damaged and present a risk of fire or electric shock. Required minimal clearances must be observed along with these instructions. Heater must be tightly fixed to the building's framing.
19. Do not install heater in vapor or shower bathrooms nor in places where it will be exposed to a high level of humidity or vapor for a long period.
20. Make sure applied voltage is suitable for rating of heater.
21. Do not insert or allow foreign objects to enter any ventilation opening as this may cause electric shock, short circuit, fire or damage to heater.
22. Do not block air inlet or outlet in any manner.
23. Use heater only as described in the USER GUIDE provided with these instructions. Any other use not recommended by the manufacturer may cause fire, electric shock or injury to persons.
24. Refer to the USER GUIDE for servicing and troubleshooting tips on this heater.
25. This heater includes a visual alarm (red light) to warn parts of the heater are getting excessively hot. If the light turns on immediately turn the heater off and inspect for any objects on or adjacent to the heater that may cause high temperatures. If nothing seems to obstruct air inlet, have heater inspected by a qualified person. **DO NOT OPERATE THE HEATER WITH THE ALARM LIGHT ON.**

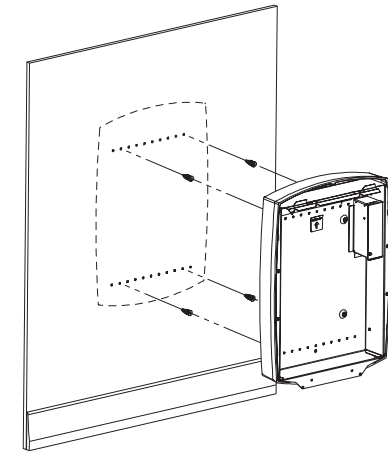
### SURFACE WALL MOUNTING (WITH OR WITHOUT CAST TRIM SLEEVE OPTION):



**Keep a clearance of 1219 mm (48 in) minimum in front  
of heater and 25 mm (1 in) to any walls.**

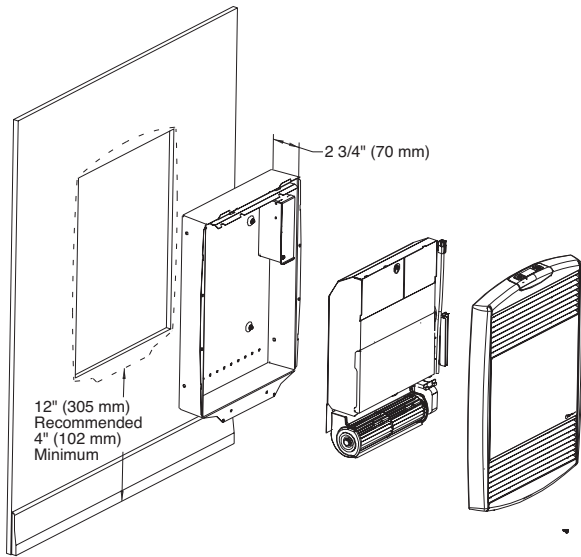
#### SURFACE WALL MOUNTING STEPS:

1. To install the optional cast trim sleeve, refer to instructions provided with the option. Heater may be surface mounted without the optional cast trim sleeve. Recommended installation height is 305 mm (12 in.) below heater. Use provided template to locate positioning of the supply wire.



2. Follow steps #2 to #11 of RECESSED WALL MOUNTING.

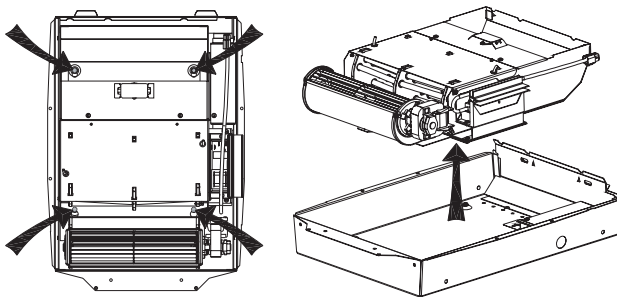
## RECESSED WALL MOUNTING:



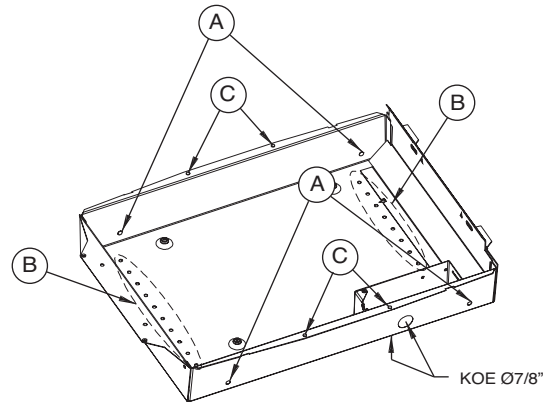
Keep a clearance of 1219 mm (48 in.) minimum in front of heater and 25 mm (1 in.) to any walls.

### RECESSED WALL MOUNTING STEPS:

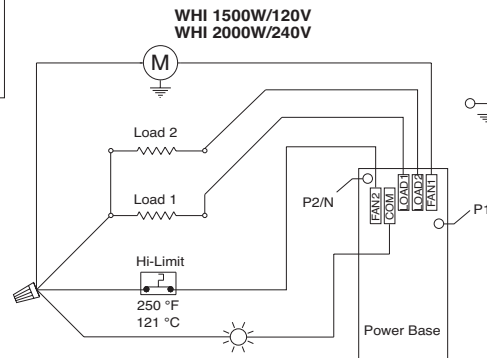
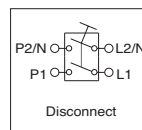
1. Make a hole within the wall at least 70 mm (2 3/4 in.) of depth. Recommended installation height is 305 mm (12 in.) below heater. The hole must be 473 mm (18 5/8 in.) by 340 mm (13 3/8 in.); use the template provided with the heater. CAUTION: HOLE MUST BE CUT PRECISELY.
2. Remove front cover by unscrewing both screws at the bottom.
3. Remove the junction box cover by unscrewing the screw. Note the plastic connector secured inside the junction box will be connected outside the box once the heater is fully installed. This connector links the enclosure with the display located on the front cover.
4. Remove the inside module to which the fan is fixed by loosening the four (4) RED screws.



5. Use the appropriate knock-out hole (KOE 7/8 in.) within the junction box as well as the 6.35 mm (1/4 in.) knock-outs (item A in the figure) located on each side of enclosure that will be used to fix it to the wall. Run the power cable inside the enclosure.
6. Fix the enclosure by using the 6.35 mm (1/4 in.) knock-outs or the holes on the back (indicated as item B in the figure) to firmly fix the heater with provided screws (two additional longer screws are provided to help in case of larger framing). DO NOT FIX THE HEATER WITH THE HOLES MENTIONED IN STEP #4 USED TO SCREW THE INSIDE MODULE; THIS MAY CAUSE THE HEATER TO MALFUNCTION.

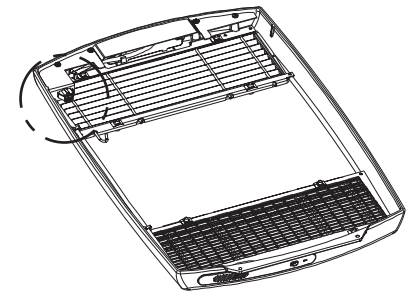
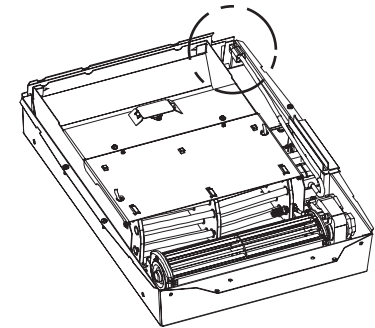
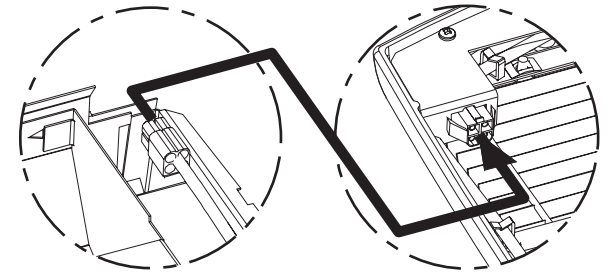


7. Put inside module back and tighten the four (4) RED screws.
8. Wire the heater according to national and local codes and along instructions marked on heater.



Load 2 = 1000W (240V), 500W (120V)  
Load 1 = 1000W (240V), 1000W (120V)

9. Replace junction box cover and remove the front cover from its protective bag.
10. Fix the plastic connector on the outlet located in the top of the front cover.



11. Put front cover back making sure the cable linking the cover with the heater does not get stuck. Test the heater to insure control works properly.

Keep this instruction pamphlet for the user.

INS246-200702-01