



INSTALLATION, OPERATION AND MAINTENANCE INSTRUCTIONS FOR INDEECO COMMERCIAL WALL HEATER “WCI /WAI SERIES”

RECESS MOUNTING

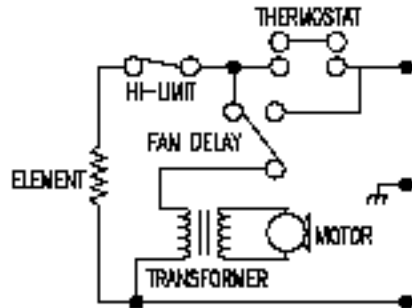
1. Heater must be used with recess box as shown.
2. Never install warm air outlet of heater less than 10 inches (250mm) from floor, wall or ceiling.
3. Provide an opening as shown 4 inches (102mm) deep minimum.
4. Remove the appropriate knockout from the box for the electrical supply.
5. Firmly attach the recess box using the provided screws.
6. Install the heater to the recess box and make sure that the heater is firmly attached with the four screws provided.
7. Connect the heater leads to the supply leads according to national and local codes. See wiring diagram.
8. Install the terminal box cover using the screws provided. Make sure fan rotates freely and the heater assembly is free of foreign matter or objects. Make sure the solid panel of the grill covers the supply terminal box.
9. Test the heater by temporarily adjusting the thermostat to maximum temperature.

SURFACE MOUNTING

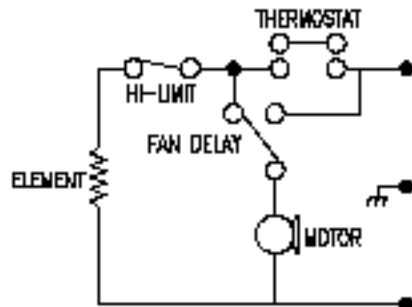
1. The surface box must be used with the recess box.
2. Never install warm air outlet of heater less than 10 inches (250mm) from floor or wall.
3. Locate the power supply leads behind the planned location of the heater (surface box).
4. Mount the surface box securely to the wall with the provided screws.
5. Install both (top and bottom) of the grille support before reinstalling the grille on the surface box.
6. Follow instructions 4 to 9 as shown for recess wall mounting.

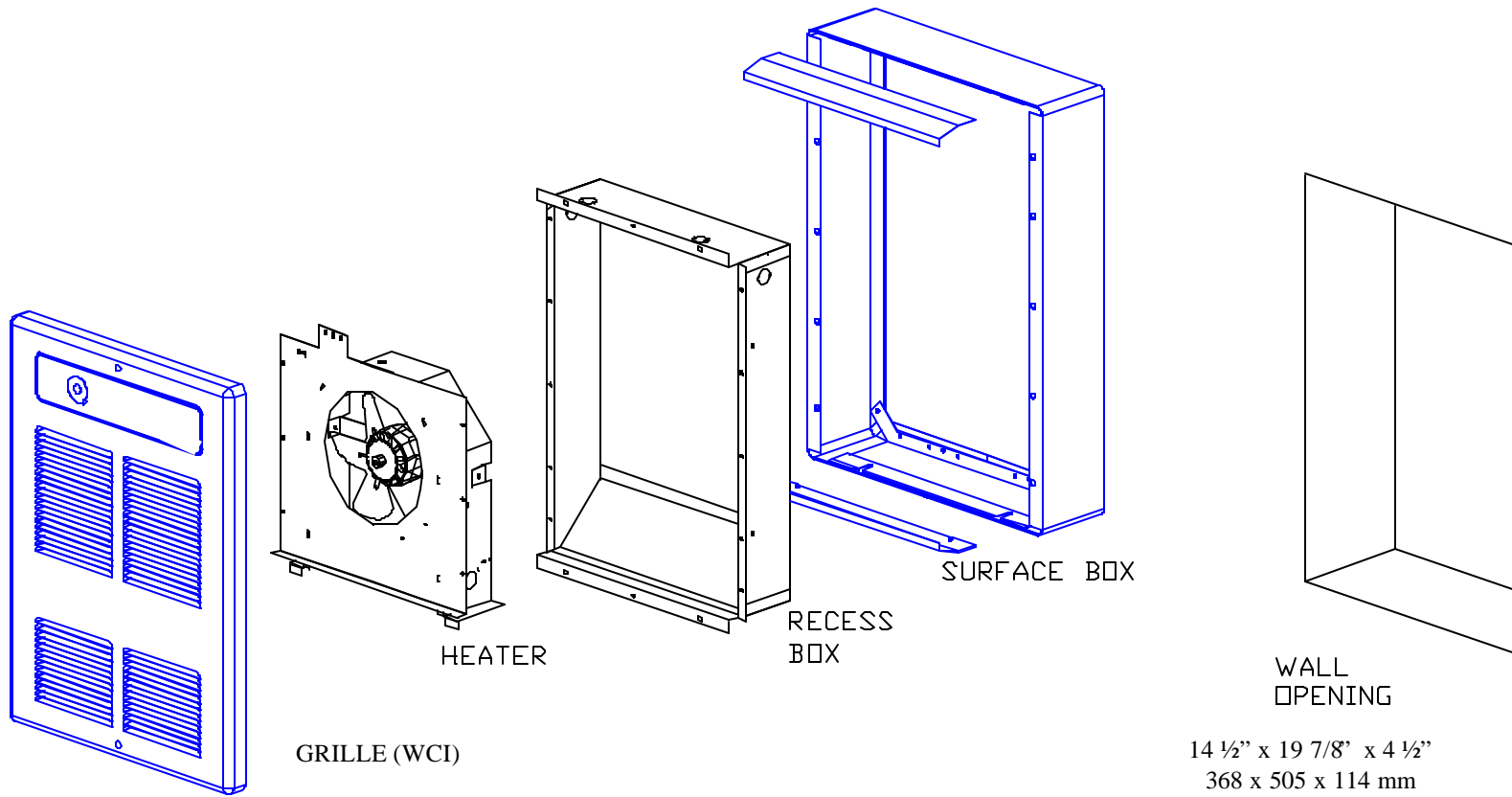
CAUTION
Do not obstruct front of heater for at least 48 inches (1200 mm).

FOR HEATERS AT 277 VOLTS AND 480 VOLTS



FOR HEATERS AT 208 VOLTS AND 240 VOLTS





INDEECO
425 Hanley Industrial Court
St. Louis, MO 63144
Phone: (314) 644-4300 Fax: (314) 644-5332
www.indeeco.com