



INSTALLATION, OPERATION AND MAINTENANCE INSTRUCTIONS FOR INDEECO ARCHITECTURAL CONVECTOR FOR BUILT-IN THERMOSTAT OPTION "CAI SERIES" T1 (SINGLE POLE), T2 (DOUBLE POLE)

1. Remove front cover, the upper and lower grille and the junction box cover.
2. Attach the thermostat to the bracket and the bracket to the upper section of the connection box.
3. Run the capillary to the base of the junction box and attach the bulb to the raceway.
4. Electrical characteristics:

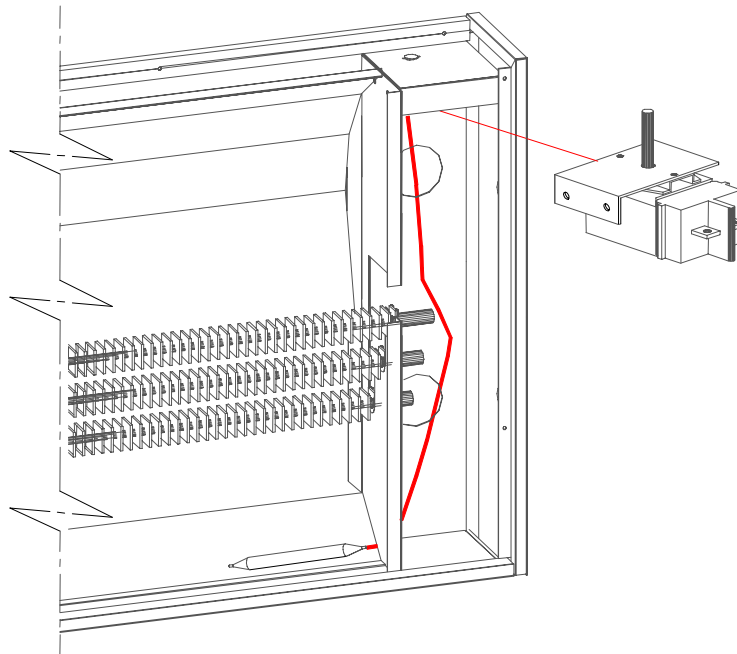
Single pole (T1)
30 Amps at 240 Volts
15 Amps at 600 Volts
Double pole (T2)
15 Amps at 600 Volts

5. To control greater load that exceeds thermostat rating, use a relay option.
6. Make connection according to local and national codes. (See wiring diagram supplied with the heater).
7. Replace each covers before testing the heater.

BUILT-IN THERMOSTAT SETTING (option)

The built-in thermostat can be set with a small screwdriver through the upper bar grille. To set the thermostat at the desired temperature:

- Set thermostat at maximum temperature (turn clockwise).
- When the desired temperature is reached, turn the thermostat counter-clockwise slowly until you hear a "click".
- The thermostat will keep this room temperature.



425 Hanley Industrial Court ▪ St. Louis, MO 63144
Phone: (314) 644-4300 Fax: (314) 644-5332
www.indeeco.com