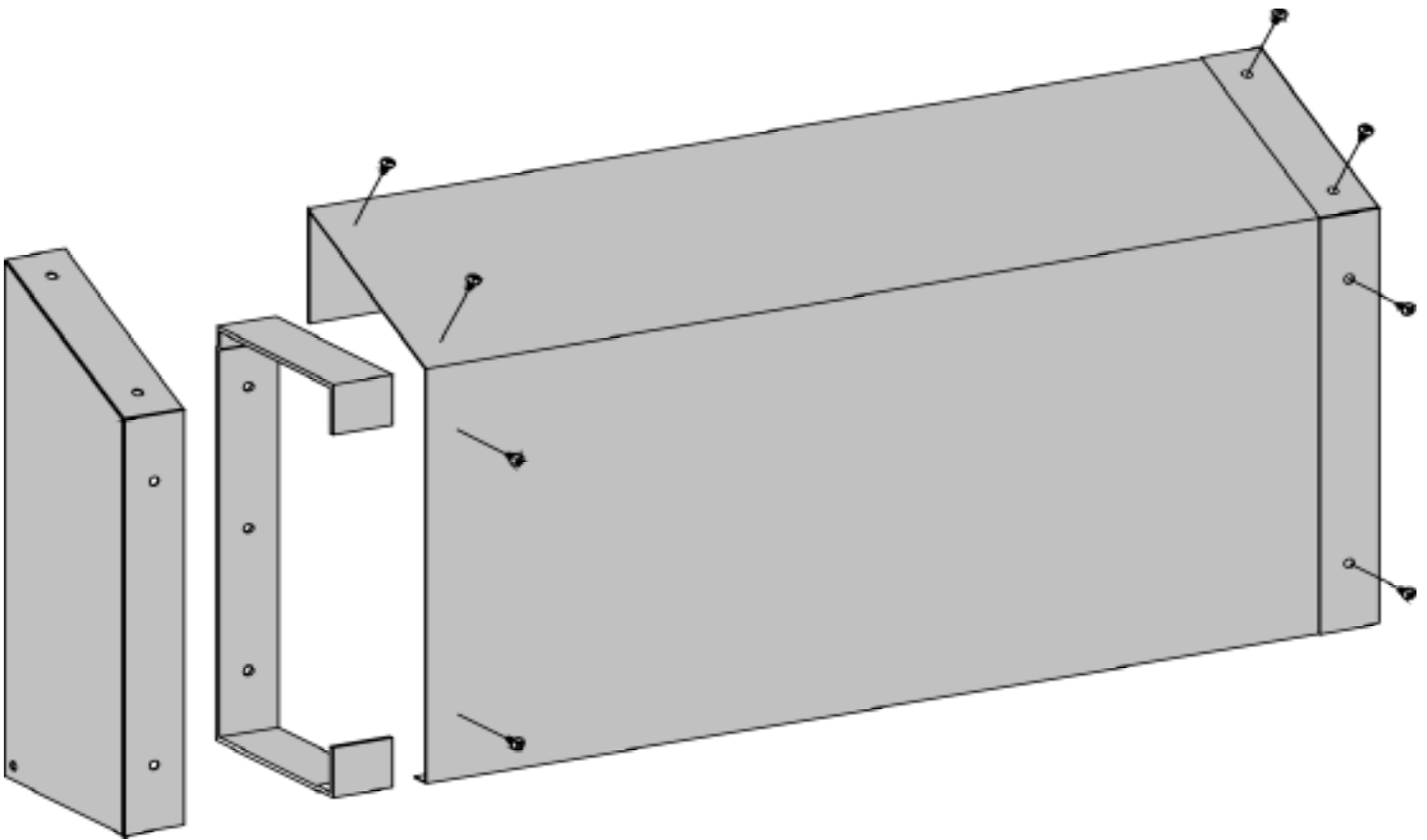




INSTALLATION, OPERATION AND MAINTENANCE INSTRUCTIONS FOR INDEECO FILLER SECTION "BASI/CASI SERIES"

1. Install the heater on the wall.
2. Measure the length you need to fill.
3. Cut the FILLER SECTION at the desired length.
4. Put the support brackets in place on the wall.
5. Install the FILLER SECTION on the brackets.
6. Insert the caps at both ends.



INDEECO
425 Hanley Industrial Court
St. Louis, MO 63144
Phone: (314) 644-4300 Fax: (314) 644-5332
www.indeeco.com