



# INSTALLATION, OPERATION AND MAINTENANCE INSTRUCTIONS FOR INDEECO ARCHITECTURAL BASEBOARD HEATER "BAI SERIES"

1. Remove front cover to give access to mounting holes and junction box cover (both ends).
2. Remove junction box cover. Make connections according to local and national codes.
3. Attach heater to the wall by using 0.25 inch (6mm) knock-outs located on the back of the heater.
4. Place all covers back on heater before testing.

### INTERCONNECTION

The connection boxes and the wiring channel are approved for interconnection of baseboard heaters and components which are on the same heating branch circuit. A grounding wire must join all heaters to keep ground continuity.

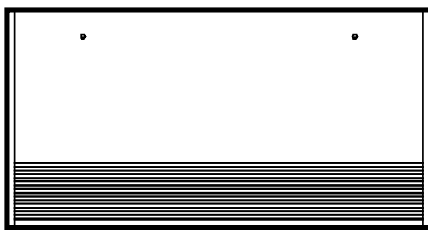
### BUILT-IN THERMOSTAT SETTING (optional)

The built-in thermostat can be set with a small flat screwdriver through the upper bar grille.

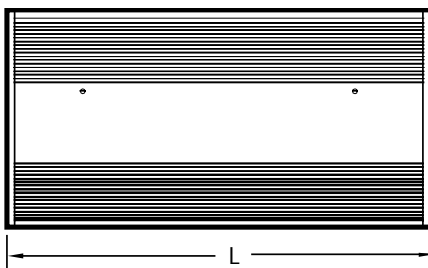
#### To set the thermostat at the desired temperature:

- Set thermostat at maximum temperature (turn clockwise).
- When the desired temperature is reached, turn the thermostat counter-clockwise slowly until you hear a "click".

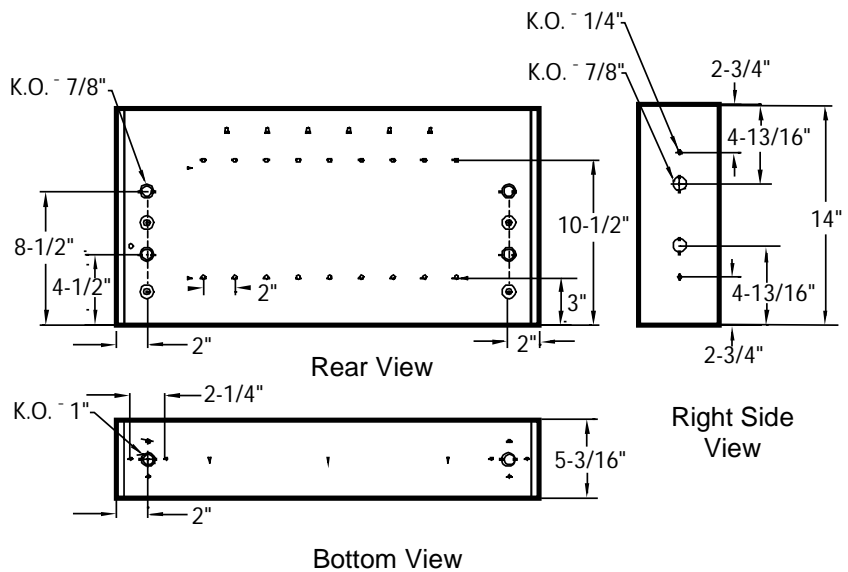
Unit with Grille on Top



Unit with Grille on Front (Option F)



Front View



Watts	Length
1000	27"
1500	37"
2000	47"
2500	57"
3000	65"
3500	75"
4000	83"

**INDEECO**  
 425 Hanley Industrial Court  
 St. Louis, MO 63144  
 Phone: (314) 644-4300 Fax: (314) 644-5332  
 www.indeeco.com