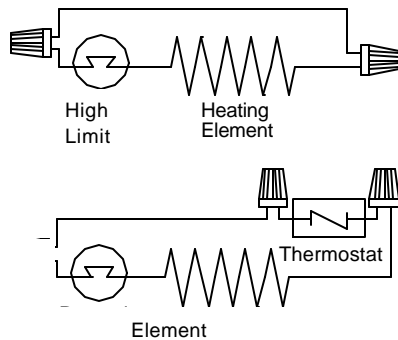
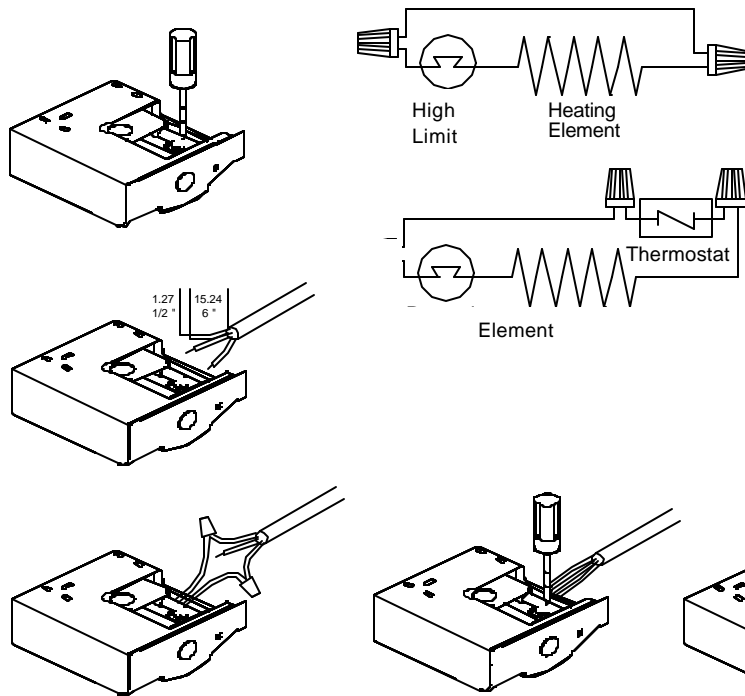




INSTALLATION, OPERATION AND MAINTENANCE INSTRUCTIONS FOR INDEECO LIGHT DUTY COMMERCIAL BASEBOARD HEATER "BLCI SERIES"



Instructions

1. Cut a hole in the box along the hash lines. Remove wire holder (or knock-out) of the appropriate junction box.
2. Make connections according to national and local codes and replace wire holder. (Do not forget ground wire.)
3. Install relay or thermostat by removing front panel and junction box cover.
4. Check wire connection at the other junction box.
5. Fasten the baseboard to the wall using wood screws, tighten then release $\frac{1}{2}$ turn.

Interconnection

This connection box and wiring channel are approved for interconnection of baseboard heaters and components which are on the same heating branch circuit.

