



INSTALLATION, OPERATION AND MAINTENANCE INSTRUCTIONS FOR INDEECO COMMERCIAL UNIT HEATER "UCI SERIES"

LOCATION OF HEATERS AND REMOTE THERMOSTATS

1. For best results, do not exceed mounting heights in table below:

Maximum recommended mounting height

2 - 10 kW	8 feet (2.4 m)
15 - 30 kW	10 feet (3.0 m)
40 - 60 kW	15 feet (4.6 m)

- Direct discharge air streams:
 - Away from room occupants.
 - Away from columns, posts, machinery and partitions.
 - Parallel to outside walls.
 - Along the windward side of buildings exposed to prevailing winds.
- Locate thermostats on interior partitions, walls or posts (insulate from cold steel posts). Install thermostats away from cold drafts, internal heat sources and from heater discharge.
- Small rooms require only one unit heater. In large rooms, arrange multiple units to provide perimeter circulation as illustrated in Fig. #1 and #2.

POWER SUPPLY CONNECTIONS

The power supply may be single or three phase as shown on the nameplate. The wiring diagram is on the inside of the terminal compartment cover. Wire heater in accordance with local and national codes.

TEST

To test the unit heater, temporarily set thermostat to maximum temperature.

WARNING

- Disconnect all power supplies before working on circuit.
- Do not heat air containing combustible materials.
- Minimum clearance from walls and ceiling are:

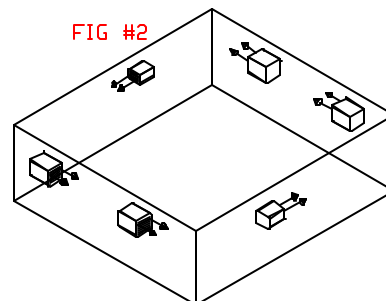
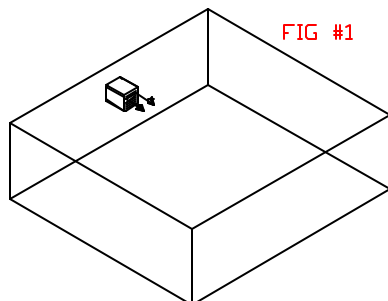
2 - 10 kW	4 inches (10 cm)
15 - 30 kW	6 inches (15 cm)
40 - 60 kW	12 inches (30 cm)

- Mount heater out of reach.
- Install at least 2 feet (61 cm) from floor for 40 - 60 kW, install at least 8 feet (2.4 m) from floor.

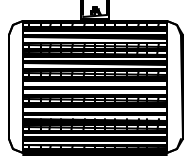
OVERTEMPERATURE PROTECTION

The motor and the electric heating elements are protected against overtemperature by automatic reset thermal high-limits.

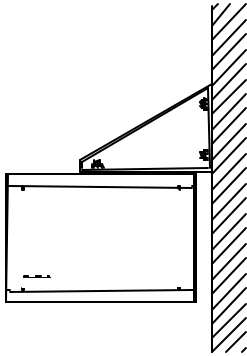
Cycling of either high-limit is an indication of abnormal operation and should be corrected at once.



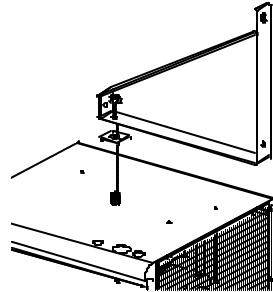
MOUNTING



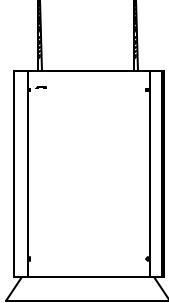
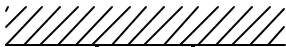
Ceiling Mounted



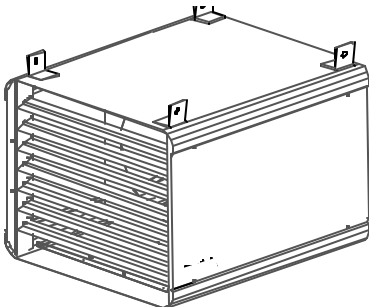
Wall Mounted



With diffuser and 4 ½-13 U.N.C.
Threaded rods.



UCI 40-60 kW



INDEECO
425 Hanley Industrial Court
St. Louis, MO 63144
Phone: (314) 644-4300 Fax: (314) 644-5332
www.indeeco.com