



Industrial Engineering and Equipment Co, Inc.
 425 Hanley Industrial Court
 St. Louis, MO 63144 USA
 Phone: (314) 644-4300 Fax: (314) 644-5332
 www.indeeco.com



**Commercial Wall Heater
 WLI Series**

SUBMITTAL FORM

Job Name:	
Location:	
Architect:	
Engineer:	
Contractor:	
Submitted by:	
Date:	
Approved by:	
Date:	

HEATER SELECTION CHART:

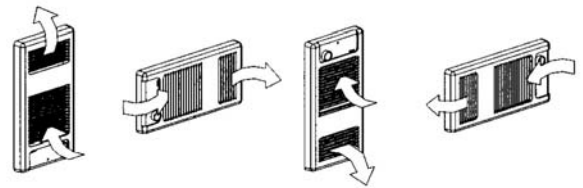
Item #	Qty.	Catalog Number	Tag	Watts (kW)	Volts	PH	Amps	Color

COMMENTS:

Watts	Volts	Total Amps (1)	CFM	Approximate Air Temperature Rise °F (°C)	Weight lbs (kg)	Catalog Number	<input checked="" type="checkbox"/>
500	120	4.6	40	40 (22)	9 (4)	934U00500B†	<input type="checkbox"/>
500/375	240/208	2.3/2.0	40	40/30 (22/17)	9 (4)	934U00500V†	<input type="checkbox"/>
750	120	6.7	40	60 (33)	9 (4)	934U00750B†	<input type="checkbox"/>
750/563	240/208	3.3/2.9	40	60/45 (33/25)	9 (4)	934U00750V†	<input type="checkbox"/>
1000	120	8.7	40	80 (44)	9 (4)	934U01000B†	<input type="checkbox"/>
1000/750	240/208	4.5/3.8	40	80/60 (44/33)	9 (4)	934U01000V†	<input type="checkbox"/>
1250	120	10.8	80	50 (28)	9 (4)	934U01250B†	<input type="checkbox"/>
1250/938	240/208	5.4/4.7	80	50/37 (28/21)	9 (4)	934U01250V†	<input type="checkbox"/>
1500	120	12.9	80	60 (33)	9 (4)	934U01500B†	<input type="checkbox"/>
1500/1125	240/208	6.5/5.6	80	60/45 (33/25)	9 (4)	934U01500V†	<input type="checkbox"/>
2000/1500	240/208	8.5/7.4	80	80/60 (44/33)	9 (4)	934U02000V†	<input type="checkbox"/>

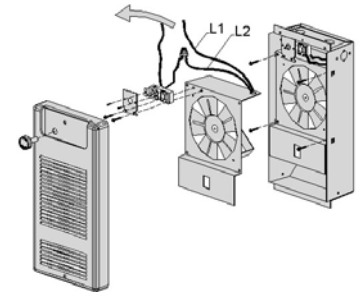
Factory Built-In Options

<input checked="" type="checkbox"/>	Code	Description
<input type="checkbox"/>	D3	Disconnect Switch, 277V, Double-pole, 20 Amp
<input type="checkbox"/>	T1	Tamperproof Thermostat, Single-pole, 17 Amp
<input type="checkbox"/>	T2	Tamperproof Thermostat, Double-pole, 17 Amp
<input type="checkbox"/>	T5	Adjustable Thermostat, Single-pole, 17 Amp
<input type="checkbox"/>	T6	Adjustable Thermostat, Double-pole, 17 Amp

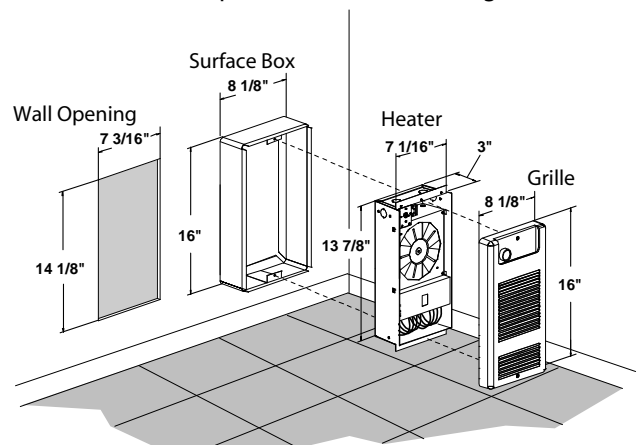
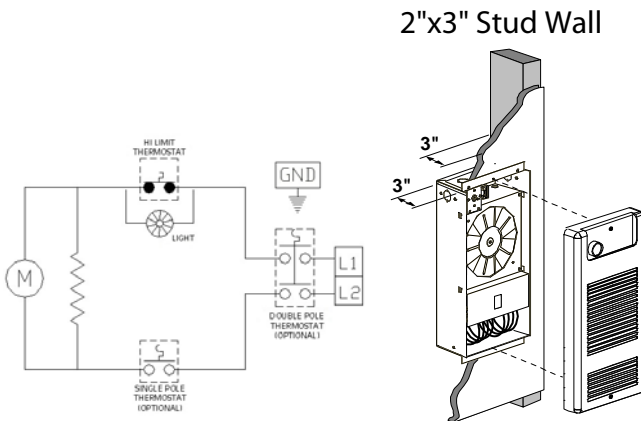


Field-Installed Options (shipped loose for field installation into heater)

<input checked="" type="checkbox"/>	Catalog Number	Description
<input type="checkbox"/>	934-124647†	Surface Mounting Box
<input type="checkbox"/>	934-124648	Adjustable Thermostat Kit, Single-pole, 17 Amp
<input type="checkbox"/>	934-124649	Tamperproof Thermostat Kit, Single-pole, 17 Amp
<input type="checkbox"/>	934-124650	Adjustable Thermostat Kit, Double-pole, 17 Amp
<input type="checkbox"/>	934-124651	Tamperproof Thermostat Kit, Double-pole, 17 Amp



Optional Surface Mounting



Architect's and Engineer's Specifications

The specified heating equipment shall include an electric, fan-forced air wall heater suitable for space heating as manufactured by INDEECO. The wall heater shall be designed for wall recess or surface mounting. Heaters shall be third party approved to UL standard 2021. CSA-US or equivalent is acceptable.

Heater Housing shall be constructed from heavy 20 gauge steel.

Grille shall have a white or almond epoxy/powder paint finish. Grille openings shall be less than 0.25" to discourage tampering with the elements (pencil-proof). Contact factory for custom colors.

Heater Element shall be of finned tubular type.

Fan and Motor shall be thermally protected and have permanently lubricated ball bearings. Fan shall operate at 40 CFM for heaters up to 1000W and 80 CFM for all other models.

Thermal Cutout shall be of the bi-metal type and built into the system.

The following factory built-in options can be selected below. *[Check off options to be included]*

- Disconnect Switch, 20A, 277V, 2P
- 17 Amp Tamperproof Thermostat, Single Pole
- 17 Amp Tamperproof Thermostat, Double Pole
- 17 Amp Adjustable Thermostat, Single Pole
- 17 Amp Adjustable Thermostat, Double Pole

Additional field-installed options can be selected below: *[Check off options to be included]*

- Surface Mounting Box
- 17 Amp Tamperproof Thermostat, Single Pole
- 17 Amp Tamperproof Thermostat, Double Pole
- 17 Amp Adjustable Thermostat, Single Pole
- 17 Amp Adjustable Thermostat, Double Pole