

Built-in tamperproof thermostat is included.

Watts	Volts	Total Amps(1)	CFM	Approximate Air Temperature Rise °F (°C)	Weight lb (kg)	Catalog Number	<input type="checkbox"/>
1500/1125	240/208	6.6/5.8	160	30/27 (17/12)	24 (11)	933U01500V▼	<input type="checkbox"/>
1500	277	5.8	160	30 (17)	28 (13)	933U01500N▼	<input type="checkbox"/>
	480	3.5	160	30 (17)	28 (13)	933U01500T▼	<input type="checkbox"/>
2000/1500	240/208	8.7/7.6	160	40/30 (22/17)	24 (11)	933U02000V▼	<input type="checkbox"/>
2000	208	10.0	160	40 (22)	24 (11)	933U02000C▼	<input type="checkbox"/>
	277	7.6	160	40 (22)	28 (13)	933U02000N▼	<input type="checkbox"/>
	480	4.5	160	40 (22)	28 (13)	933U02000T▼	<input type="checkbox"/>
3000/2250	240/208	12.9/11.2	160	60/45 (33/25)	24 (11)	933U03000V▼	<input type="checkbox"/>
3000	277	11.2	160	60 (33)	28 (13)	933U03000N▼	<input type="checkbox"/>
	480	6.6	160	60 (33)	28 (13)	933U03000T▼	<input type="checkbox"/>
4000/3000	240/208	17.0/14.8	160	80/60 (44/33)	24 (11)	933U04000V▼	<input type="checkbox"/>
4000	208	19.6	160	80 (44)	24 (11)	933U04000C▼	<input type="checkbox"/>
	277	14.8	160	80 (44)	28 (13)	933U04000N▼	<input type="checkbox"/>
	480	8.7	160	80 (44)	28 (13)	933U04000T▼	<input type="checkbox"/>
4800/3600	240/208	20.4/17.7	160	96/72 (53/40)	24 (11)	933U04800V▼	<input type="checkbox"/>
4800	208	23.5	160	96 (53)	28 (13)	933U04800C▼	<input type="checkbox"/>
	277	17.7	160	96 (53)	28 (13)	933U04800N▼	<input type="checkbox"/>
	480	10.4	160	96 (53)	28 (13)	933U04800T▼	<input type="checkbox"/>
6000/4500	240/208	25.4/22.0	320	60/45 (33/25)	50 (23)	933U06000V▼	<input type="checkbox"/>
6000	277	22.1	320	60 (33)	50 (23)	933U06000N▼	<input type="checkbox"/>
	480	12.9	320	60 (33)	50 (23)	933U06000T▼	<input type="checkbox"/>
8000/6000	240/208	33.7/29.2	320	80/60 (44/33)	50 (23)	933U08000V▼	<input type="checkbox"/>
8000	208	38.9	320	80 (44)	50 (23)	933U08000C▼	<input type="checkbox"/>
	277	29.3	320	80 (44)	50 (23)	933U08000N▼	<input type="checkbox"/>
	480	17.1	320	80 (44)	50 (23)	933U08000T▼	<input type="checkbox"/>

(1) Total Amps = Heating element amps and motor amps.
All models listed are single-phase. Other voltages available. Consult factory.

▼ Add color code to end of catalog number.

Color	Code
Bronze	BZ
Metallic Silver	AE
Charcoal Steel	CM
Textured Black	NR
Beige-Grey	BG
White	W
Almond	A

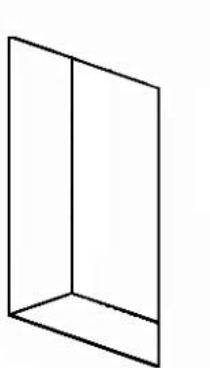
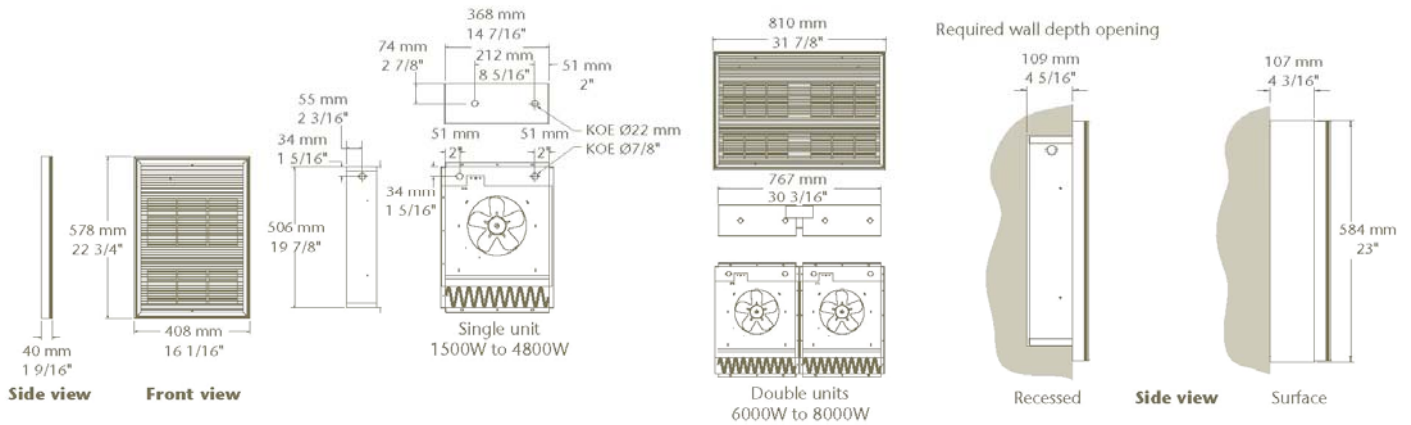
Field-Installed Options (shipped loose for field installation into heater)

<input type="checkbox"/>	Catalog Number	Description
<input type="checkbox"/>	933-124501▼	Surface Mounting Box (1500-4800W)
<input type="checkbox"/>	933-158471▼	Surface Mounting Box (6000-8000W)
<input type="checkbox"/>	933-151114▼	1" Semi Recessed Trim Kit (1500-4800W)
<input type="checkbox"/>	933-166530▼	1" Semi Recessed Trim Kit (6000-8000W)
<input type="checkbox"/>	933-151115▼	2" Semi Recessed Trim Kit (1500-4800W)
<input type="checkbox"/>	933-166531▼	2" Semi Recessed Trim Kit (6000-8000W)

▼ Add color code to end of catalog number.

Factory Built-In Options

<input type="checkbox"/>	Code	Description
<input type="checkbox"/>	D1	Disconnect Switch 600V, Three-pole, 40 Amp
<input type="checkbox"/>	D3	Disconnect Switch 277V, Double-pole, 20Amp
<input type="checkbox"/>	R1	24V Relay (2)
<input type="checkbox"/>	R2	24V Relay with Transformer (2)
<input type="checkbox"/>	S3	Fan On/Auto Switch



Wall Opening
 14-1/2" x 19-7/8" x 4-1/2"
 368 x 505 x 114 mm

Architect's and Engineer's Specifications

The specified heating equipment shall include an electric, fan-forced air wall heater suitable for space heating as manufactured by INDEECO. The wall heater shall be designed for wall recess or surface mounting. Heaters shall be third party approved to UL standard 2021. CSA-US or equivalent is acceptable.

Heater Housing shall be constructed from heavy 18 gauge steel.

Grille shall have extruded aluminum louvers with a dark brown epoxy/powder paint finish. Grille openings shall be less than 0.25" to discourage tampering with the elements (pencil-proof). Contact factory for custom colors.

Heater Element shall be of finned tubular type.

Fan and Motor shall be totally enclosed and have permanently lubricated ball bearings. Fan shall operate at 160 CFM minimum.

Fan Over-ride shall purge heater of residual heat to prevent an over heat condition.

Thermal Cutout shall be of the bulb and capillary type and built into the system.

Thermostat shall be tamperproof and built into the system. Thermostat is adjustable from 32-120 °F.

Disconnect Switch is offered as an option and is built into the back of the system. The disconnect switch shall provide positive disconnect of the main power source.

Low Voltage Relays with or without transformers are available built-in or supplied separately as kits.