



425 Hanley Industrial Court, St. Louis, MO 63144
 Phone: (314) 644-4300, Fax: (314) 644-5332
 www.indeeco.com

INSTALLATION INSTRUCTIONS
 For INDEECO Economical Unit Heater
 "ULI Series"

THE INSTALLATION MUST BE EXECUTED
 BY A QUALIFIED TECHNICIAN



IMPORTANT

- Disconnect all power supplies before working on any of the circuits.
- Do not use to heat air containing combustible materials.
- Mount out of reach.

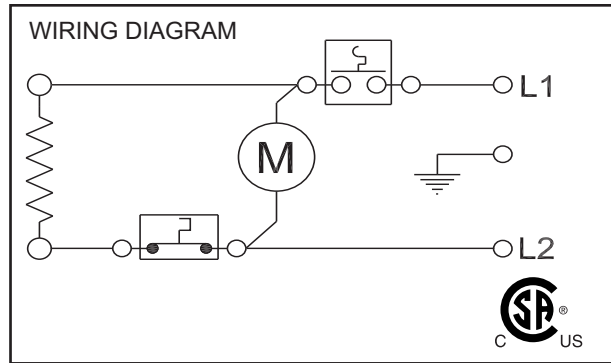
Minimum clearance (or maximum if indicated) to respect				
	Under	Front	Top	Sides
Canada	24 in. 610 mm	5 in. 130 mm	3 1/2 in. 89 mm	5 in. 130 mm
USA	6 ft. 1.8 m	5 in. 130 mm	3 1/2 in. 89 mm	5 in. 130 mm

**LOCATION OF HEATER
 AND REMOTE THERMOSTAT**

1. For best results, do not exceed a mounting height of 8 ft. (2.4 m) from the floor.
2. Direct discharge streams:
 - away from room occupants,
 - away from columns, posts, machinery and partitions,
 - parallel to outside walls,
 - along the windward side of buildings exposed to prevailing winds.
3. Locate thermostat on interior wall or post (insulate from cold steel posts), away from cold drafts, internal heat sources and from heater discharge.
4. Small rooms require only one unit heater. In large rooms arrange multiple units to provide perimeter circulation.

OVERTEMPERATURE PROTECTION

- The motor and the heater elements are protected against overheating by automatic thermal hi-limits.
- Cycling of the hi-limit is an indication of abnormal operation and should be corrected immediately.



BUILT-IN THERMOSTAT

Adjustment range 55-106°F (10-41°C) without degree indication.

LUBRICATION OF MOTOR

Sealed lubrication-free bearings. Also, dustproof motor housing.

ATTENTION

Basic precautions should always be followed to reduce the risk of fire, electric shock, and injury to persons.

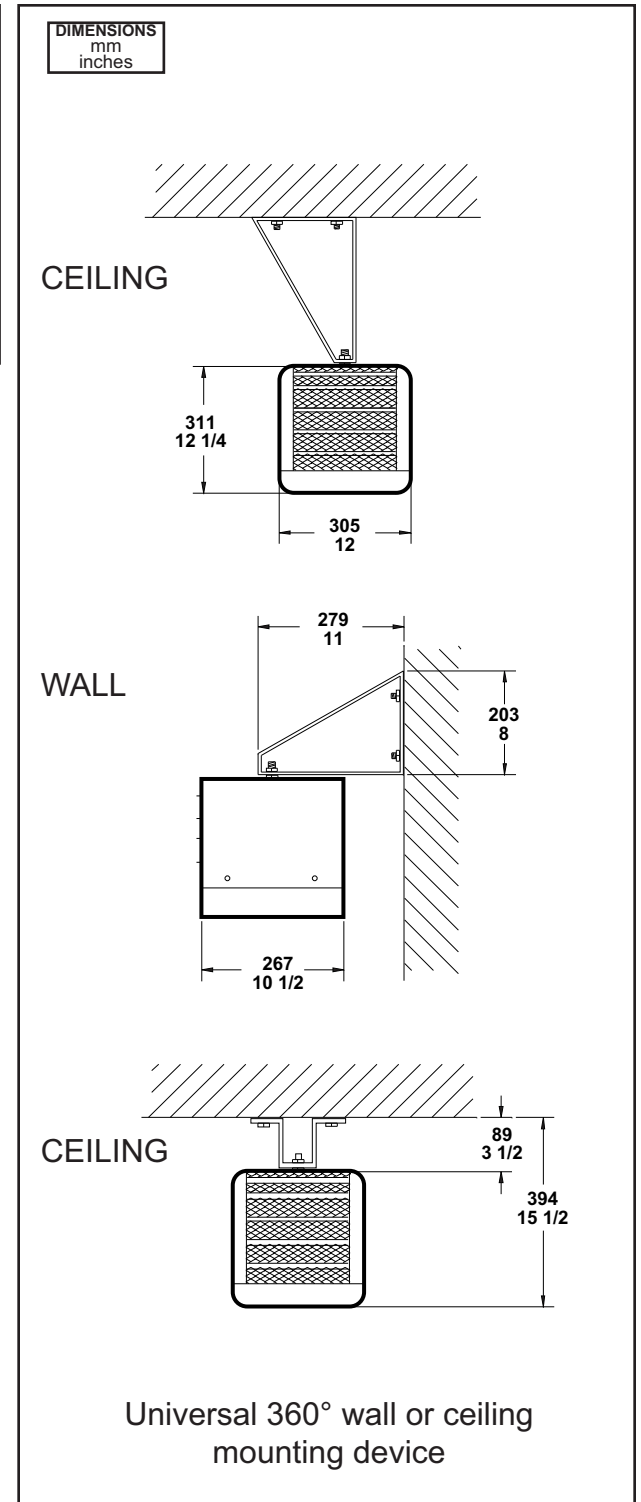
- Read all instructions before using this heater.
- Do not install less than 6 ft. (1.8 m) from the floor in the United States only.
- This heater is hot when in use. To avoid burns, do not let bare skin touch hot surfaces. Keep combustible materials, such as furniture, pillows, bedding, papers, clothes, and curtains at least 5 in. (130 mm) from the heater.
- Do not use outdoors.
- Do not insert or allow foreign objects to enter any ventilation or exhaust opening as this may cause an electric shock or fire, or damage the heater.
- Do not block air intakes or exhaust in any manner.
- Heater contains arcing and sparking parts. Do not use it in areas where gasoline, paint, or flammable liquids are used or stored.
- Use this heater only as described in this manual. Any other use not recommended by the manufacturer may cause fire, electric shock, or injury to persons.

MAINTENANCE

Once a year, remove the dust accumulation inside the heater using a vacuum cleaner or compressed air. Cleaning should be done while the heater is disconnected from the supply circuit.

A qualified technician should perform any other servicing.

**KEEP THIS INSTRUCTION PAMPHLET
 FOR THE USER INS107-200301-04**



Universal 360° wall or ceiling
 mounting device