



425 Hanley Industrial Court, St. Louis, MO 63144
 Phone: (314) 644-4300, Fax: (314) 644-5332
 www.indeeco.com

INSTALLATION INSTRUCTIONS
For INDEECO of the commercial ceiling heater
«CCI Series» 1.5 to 4.8 kW

THE INSTALLATION MUST BE EXECUTED
 BY A QUALIFIED TECHNICIAN



RECESS MOUNTING

- 1- Heater must be used with recess box as shown.
- 2- Never install warm air outlet of heater less than 250 mm (10 in.) from adjacent wall.
- 3- Provide an opening as shown 108 mm (4.25 in.) deep minimum.
- 4- Remove the appropriate knockout from the recess box for the electrical supply.
- 5- Attach firmly the recess box using provided screws.
- 6- Install the heater to the recess box and be sure that the heater is attach firmly with four (4) provided screws.
- 7- Connect the heater leads to the supply leads according to national and local codes. See wiring diagram.
- 8- Make sure the fan rotates freely and that there is no foreign object in the heater.
- 9- Install the front cover using the provided screws.
IMPORTANT: To insure that the cover is not upside down, make sure that the part of the front cover without louvers is in front of the supply terminal box.
- 10-To test the heater temporarily, set thermostat at maximum temperature.

SURFACE MOUNTING

- 1- The surface box must be used with recess box as shown.
- 2- Never install warm air outlet of heater less than 250 mm (10 in.) from adjacent wall.
- 3- Locate the power supply leads behind the planned location of the heater (surface box).
- 4- Mount the surface box securely to the ceiling with provided screws.
- 5- Install both (top and bottom) of the grill support before reinstalling the grill on the surface box.
- 6- Follow instructions 4 to 10 as above for recess mounting.

DROP CEILING MOUNTING

- 1- Install the T-BAR ceiling adapter (**Fig. 1**) on the ceiling with wires or chains.
- 2- Mount the recess box on the T-BAR with six (6) provided Screws.
- 3- Follow instructions 4 to 9 as above for recess mounting.

IMPORTANT
 This unit could weight up to: 26 lbs (12 kg)
 Install the T-BAR ceiling adapter
 solidly to the ceiling trust.

IMPORTANT
 Do not obstruct front of heater for at least
 1220 mm (48 in.).

OPTIONS

See installation pamphlet provided with option to install relay and relay with transformer kits on site.

ATTENTION

Basic precautions should always be followed to reduce the risk of fire, electric shock, and injury to persons.

- Read all instructions before using this heater.
- Do not use outdoors.
- Do not insert or allow foreign objects to enter any ventilation or exhaust opening as this may cause an electric shock or fire, or damage the heater.
- Do not block air intakes or exhaust in any manner.
- Heater contains arcing and sparking parts. Do not use it in areas where gasoline, paint, or flammable liquids are used or stored.
- Use this heater only as described in this manual. Any other use not recommended by the manufacturer may cause fire, electric shock, or injury to persons.

MAINTENANCE

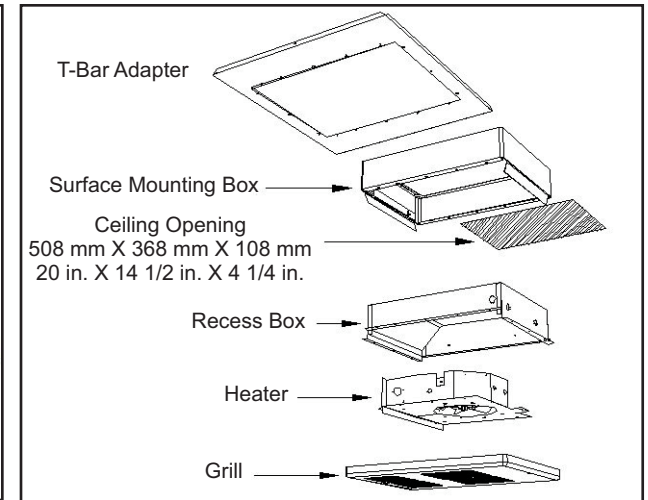
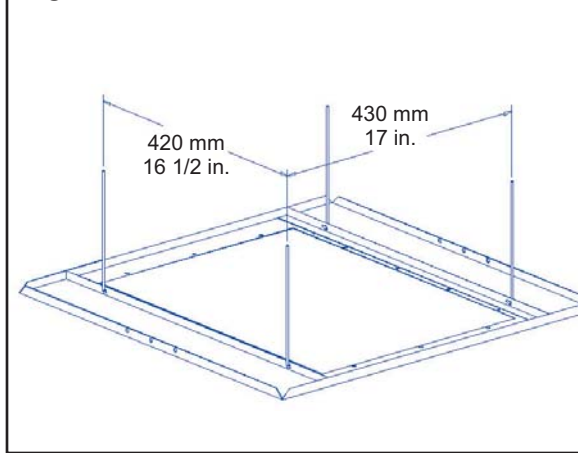
Once a year, remove the grill and use a vacuum cleaner to remove the dust accumulation inside the heater. Cleaning should be done while the heater is disconnected from the supply circuit.

A qualified technician should perform any other servicing.

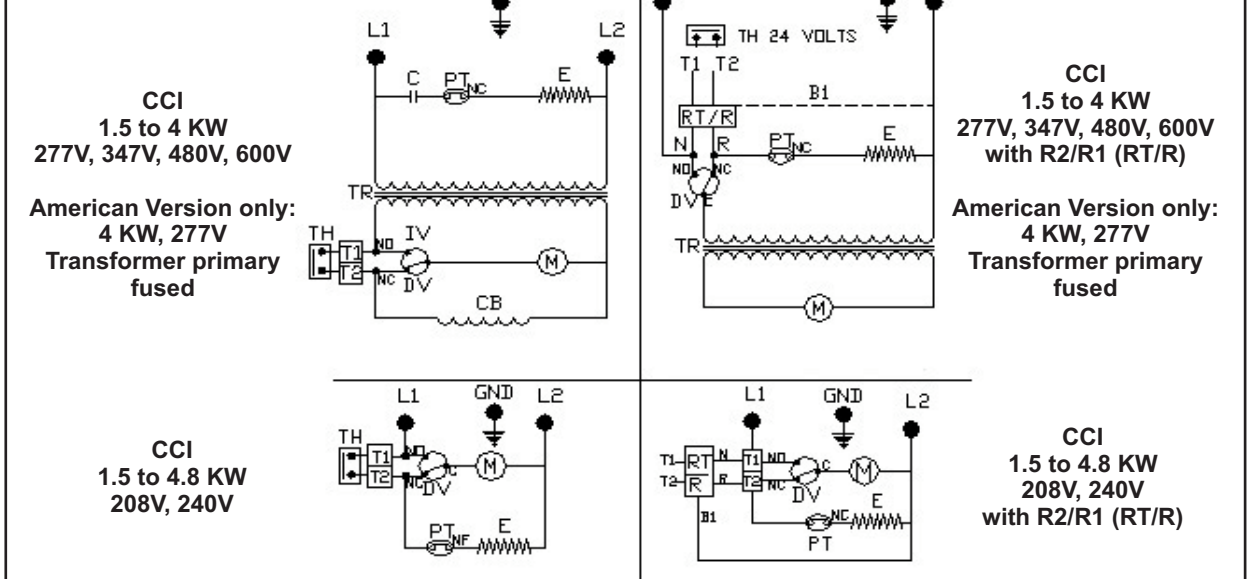
**KEEP THIS INSTRUCTION PAMPHLET
 FOR THE USER INS166-200404-03**



Fig. 1



Wiring Diagram



CONTROL MUST BE CONNECTED TO T1-T2

- C** - Contactor
- CB** - Contactor Coil
- E** - Element
- M** - Motor
- B1** - Blue Wire
- N** - Black Wire
- R** - Red Wire
- PT** - Hi-Limit
- TH** - Remote Thermostat
- DV** - Fan Delay
- TR** - Transformer
- 600V/240V or 347V/240V
- 480V/240V
- 150VA

RELAY