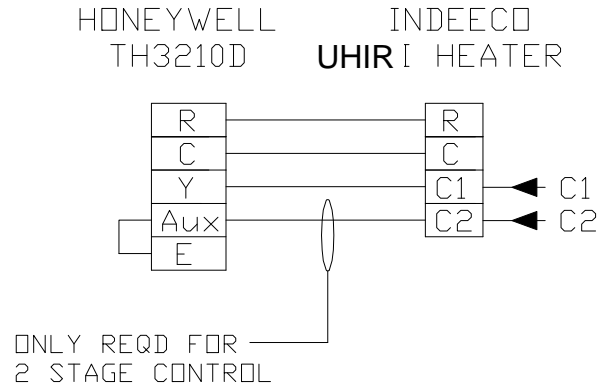


HONEYWELL TH3210D SUPPLEMENTAL INSTRUCTIONS
For Combination Remote Temperature and Remote Summer Fan Operation
For UHIR COMMERCIAL GRADE UNIT HEATERS

These instructions are meant to supplement the installation instructions provided with the Honeywell TH3210D thermostat for control of two stage Indeeco UHIR heaters.

A. Thermostat Wiring:



The jumper between 'Aux' and 'E' will enable the 'Emergency Heat' function on the thermostat for 2 stage heater control. Note that the cooling and fan control functions are not used.

B. Thermostat Configuration:

1. Batteries are not required.
2. Enter the thermostat menu by pressing and holding the up and down arrows.
3. Set the parameters as shown in the installation guide to the following values:

Setup Function	Setting
6- Auxilliary Heat Cycle Rate	9 – For Electric Furnace
8 – Emergency Heat Cycle Rate	9 – For Electric Furnace
9 – Compressor Cycle Rate	Leave default – not used
14 – Temperature Display	0 – Fahrenheit ; 1- Celcius
15 – Compressor Protection	0 – No Time Delay

4. Press and hold the up and down arrows to exit the setup menu.



425 Hanley Industrial Court ✦ St. Louis, MO 63144
 314-644-4300 ✦ Fax: 314-644-5332
sales@indeeco.com ✦ www.indeeco.com